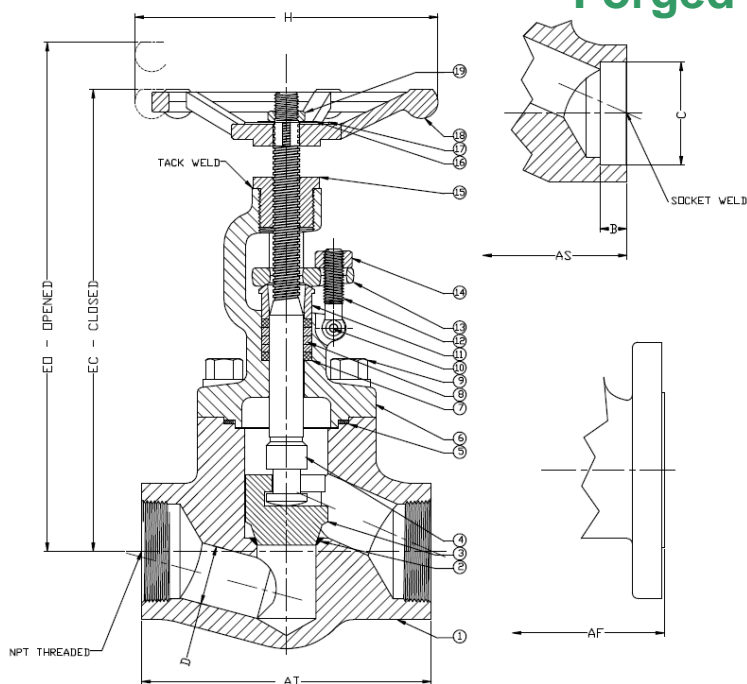


Globe Valve Standard Port, Bolted Bonnet Forged Steel

502 SERIES



STANDARDS

DESIGN:

API 602
MSS SP-118
ASME B16.34

TESTING:

API 598

PRESSURE CLASS:

NPT & SW – 800
FLANGED – 150,300,600

CONNECTIONS:

NPT – ASME B1.20.1
SW - ASME B16.11
FLANGED – ASME B16.5
ASME B16.10

		MATERIAL LIST						
NO.	Part Name	A105	LF2	F5	F9	F11	F22	F316/F316L
1	Body	A105N	A350-LF2	A182-F5	A182-F9	A182-F11	A182-F22	A182-F316/F316L
2	Seat Ring	A276-410/CoCr-A						A276-316/CoCr-A
3	Disc	A276-410						A276-316
4	Stem	A276-410						A276-316
5	Gasket	Spiral Wound 304/Graphite						316/Graphite
6	Bonnet	A105N	A350-LF2	A182-F5	A182-F9	A182-F11	A182-F22	A182-F316/F316L
7	Wiper Ring	Braided Graphite						
8	Packing	Die Formed Graphite						
9	Body Bolt	A193-B7	A193-B8M	A193-B16				A193-B8M
10	Eyebolt Pin	A276-410						A276-316
11	Gland	A276-410						A276-316
12	Eyebolt	A193-B7	A193-B8M	A193-B16				A193-B8M
13	Gland Plate	A105						A182-F316
14	Gland Nut	A194-2H	A194-8M					
15	Op Nut	A276-410						A276-316
16	Washer	A276-410						
17	Nameplate	Aluminum						
18	Handwheel	KTH330-08						
19	Handwheel Nut	LY12 Steel						

		DIMENSIONS AND WEIGHTS										WGT.				
SIZE		AT	AS	AF-150	AF-300	AF-600	B	C	D (Min)	EO	EC	H	150	300	600	800
1/2	Inch	3.11	3.11	4.25	6.00	6.50	0.37	0.87	0.39	6.18	5.83	3.94	7.61	8.38	12.35	5.03
	mm	79.00	79.00	108.00	152.00	165.00	9.50	22.0	10.00	157.00	148.00	100.00	3.45	3.80	5.60	2.28
3/4	Inch	3.62	3.62	4.60	7.00	7.50	0.49	1.07	0.51	6.38	5.98	3.94	8.82	11.24	17.20	5.22
	mm	92.00	92.00	117.00	178.00	190.00	12.50	27.4	13.00	162.00	152.00	100.00	4.00	5.10	7.80	2.37
1	Inch	4.37	4.37	5.00	8.00	8.50	0.49	1.34	0.71	7.56	7.05	4.92	13.65	15.87	27.56	9.48
	mm	111.00	111.00	127.00	203.00	216.00	12.50	34.1	18.00	192.00	179.00	125.00	6.19	7.20	12.50	4.30
1-1/4	Inch	4.75	4.75	5.50	8.50	9.00	0.49	1.68	0.87	9.92	9.13	6.30	21.15	25.25	37.50	17.20
	mm	120.00	120.00	140.00	216.00	229.00	12.50	42.9	22.00	252.00	232.00	160.00	9.60	11.50	17.00	7.80
1-1/2	Inch	5.00	6.00	6.50	9.00	9.50	0.49	1.92	1.18	9.92	9.13	6.30	23.15	29.76	51.81	17.20
	mm	152.00	152.00	165.00	229.00	241.00	12.50	49.0	30.00	252.00	232.00	160.00	10.50	13.50	23.50	7.80
2	Inch	6.75	6.75	8.00	10.50	11.50	0.63	2.41	1.42	11.38	10.24	7.09	37.48	43.43	85.54	27.56
	mm	172.00	172.00	203.00	267.00	292.00	16.00	61.5	36.00	289.00	260.00	180.00	17.00	19.70	38.80	12.50

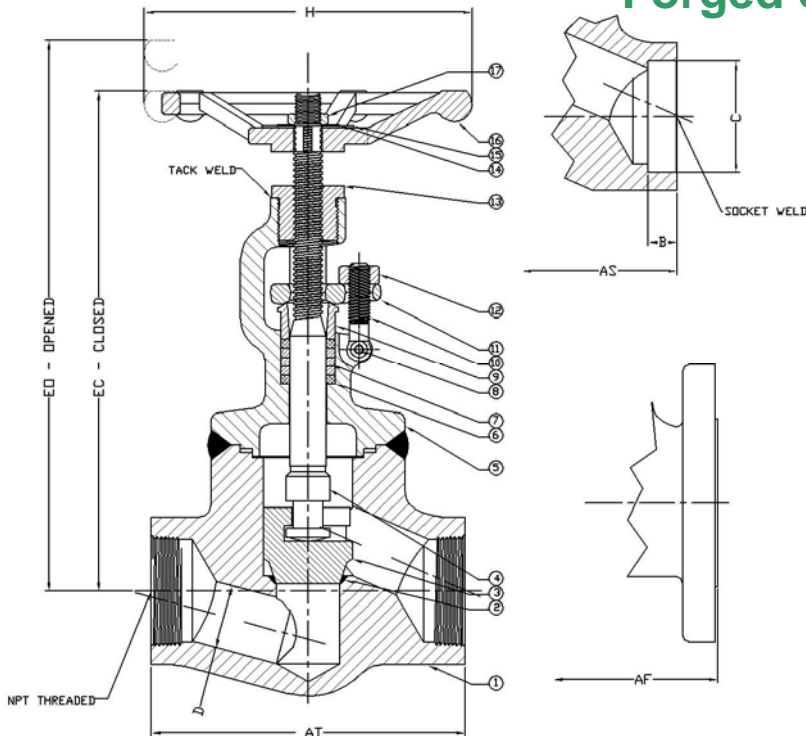
(713) 673-2073 – Fax (713) 673-4641 - Toll Free (866) GO-BERIC (462-3742)

www.bericvalves.com

Globe Valve

Standard Port, Welded Bonnet Forged Steel

506 SERIES



STANDARDS

DESIGN:

API 602
MSS SP-118
ASME B16.34

TESTING:

API 598

PRESSURE CLASS:

NPT & SW – 800
FLANGED – 150,300,600

CONNECTIONS:

NPT – ASME B1.20.1
SW - ASME B16.11
FLANGED – ASME B16.5
ASME B16.10

MATERIAL LIST								
NO.	Part Name	A105	LF2	F5	F9	F11	F22	F316/F316L
1	Body	A105N	A350-LF2	A182-F5	A182-F9	A182-F11	A182-F22	A182-F316/F316L
2	Seat Ring	A276-410/CoCr-A						A276-316/CoCr-A
3	Disc	A276-410						A276-316
4	Stem	A276-410						A276-316
5	Bonnet	A105N	A350-LF2	A182-F5	A182-F9	A182-F11	A182-F22	A182-F316/F316L
6	Wiper Ring	Braided Graphite						
7	Packing	Die Formed Graphite						
8	Eyebolt Pin	A276-410						A276-316
9	Gland	A276-410						A276-316
10	Eyebolt	A193-B7	A193-B8M	A193-B16			A193-B8M	
11	Gland Plate	A105						A182-F316
12	Gland Nut	A194-2H	A194-8M					
13	Op Nut	A276-410						A276-316
14	Washer	A276-410						
15	Nameplate	Aluminum						
16	Handwheel	KTH330-08						
17	Handwheel Nut	LY12 Steel						

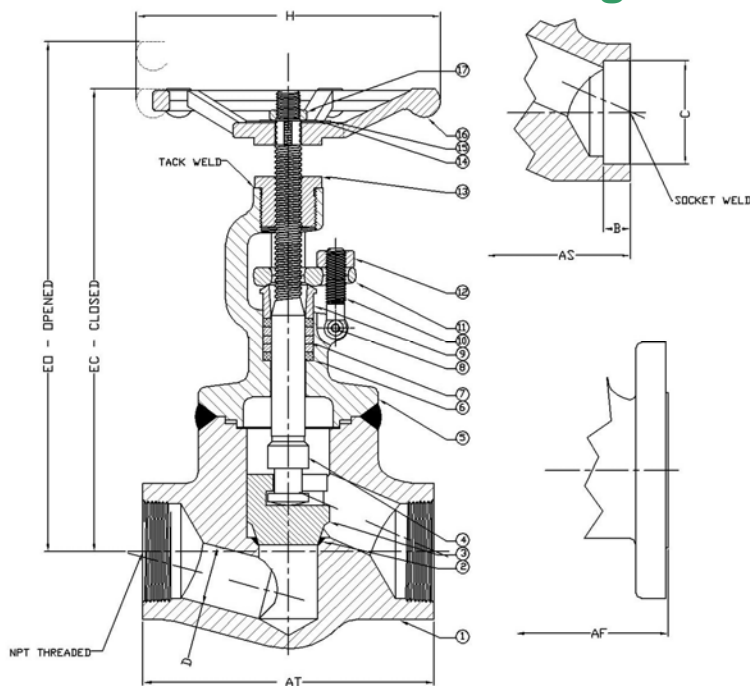
DIMENSIONS AND WEIGHTS												WGT.				
SIZE		AT	AS	AF-150	AF-300	AF-600	B	C	D (Min)	EO	EC	H	150	300	600	800
1/2	Inch	3.11	3.11	4.25	6.00	6.50	0.37	0.87	0.39	6.18	5.83	3.94	7.61	8.38	12.35	5.03
	mm	79.00	79.00	108.00	152.00	165.00	9.50	22.0	10.00	157.00	148.00	100.00	3.45	3.80	5.60	2.28
3/4	Inch	3.62	3.62	4.60	7.00	7.50	0.49	1.07	0.51	6.38	5.98	3.94	8.82	11.24	17.20	5.22
	mm	92.00	92.00	117.00	178.00	190.00	12.50	27.4	13.00	162.00	152.00	100.00	4.00	5.10	7.80	2.37
1	Inch	4.37	4.37	5.00	8.00	8.50	0.49	1.34	0.71	7.56	7.05	4.92	13.65	15.87	27.56	9.48
	mm	111.00	111.00	127.00	203.00	216.00	12.50	34.1	18.00	192.00	179.00	125.00	6.19	7.20	12.50	4.30
1-1/4	Inch	4.75	4.75	5.50	8.50	9.00	0.49	1.68	0.87	9.92	9.13	6.30	21.15	25.25	37.50	17.20
	mm	120.00	120.00	140.00	216.00	229.00	12.50	42.9	22.00	252.00	232.00	160.00	9.60	11.50	17.00	7.80
1-1/2	Inch	5.00	6.00	6.50	9.00	9.50	0.49	1.92	1.18	9.92	9.13	6.30	23.15	29.76	51.81	17.20
	mm	152.00	152.00	165.00	229.00	241.00	12.50	49.0	30.00	252.00	232.00	160.00	10.50	13.50	23.50	7.80
2	Inch	6.75	6.75	8.00	10.50	11.50	0.63	2.41	1.42	11.38	10.24	7.09	37.48	43.43	85.54	27.56
	mm	172.00	172.00	203.00	267.00	292.00	16.00	61.5	36.00	289.00	260.00	180.00	17.00	19.70	38.80	12.50

(713) 673-2073 – Fax (713) 673-4641 - Toll Free (866) GO-BERIC (462-3742)

www.bericvalves.com

Globe Valve Full Port, Welded Bonnet Forged Steel

516 SERIES



STANDARDS

DESIGN:

API 602
MSS SP-118
ASME B16.34

TESTING:

API 598

PRESSURE CLASS:

NPT & SW – 800
FLANGED – 150,300,600

CONNECTIONS:

NPT – ASME B1.20.1
SW - ASME B16.11
FLANGED – ASME B16.5
ASME B16.10

MATERIAL LIST								
NO.	Part Name	A105	LF2	F5	F9	F11	F22	F316/F316L
1	Body	A105N	A350-LF2	A182-F5	A182-F9	A182-F11	A182-F22	A182-F316/F316L
2	Seat Ring	A276-410/CoCr-A						A276-316/CoCr-A
3	Disc	A276-410						A276-316
4	Stem	A276-410						A276-316
5	Bonnet	A105N	A350-LF2	A182-F5	A182-F9	A182-F11	A182-F22	A182-F316/F316L
6	Wiper Ring	Braided Graphite						
7	Packing	Die Formed Graphite						
8	Eyebolt Pin	A276-410						A276-316
9	Gland	A276-410						A276-316
10	Eyebolt	A193-B7	A193-B8M	A193-B16			A193-B8M	
11	Gland Plate	A105						A182-F316
12	Gland Nut	A194-2H	A194-8M					
13	Op Nut	A276-410						A276-316
14	Washer	A276-410						
15	Nameplate	Aluminum						
16	Handwheel	KTH330-08						
17	Handwheel Nut	LY12 Steel						

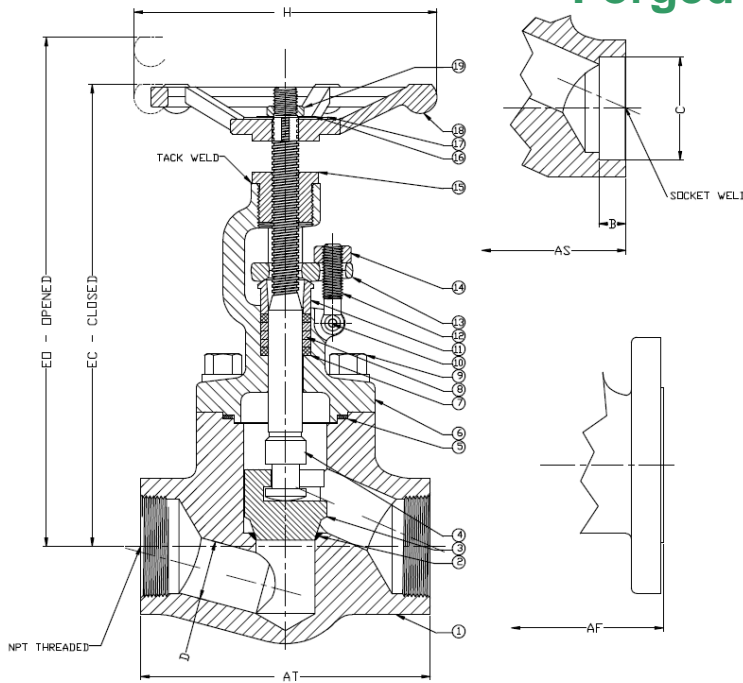
DIMENSIONS AND WEIGHTS												WGT.				
SIZE		AT	AS	AF-150	AF-300	AF-600	B	C	D (Min)	EO	EC	H	150	300	600	800
1/2	Inch	3.62	3.62	4.25	6.00	6.50	0.37	0.87	0.51	6.73	6.22	3.94	8.82	11.24	17.20	5.22
	mm	92.00	92.00	108.00	152.00	165.00	9.50	22.0	13.00	171.00	158.00	100.00	4.00	5.10	7.80	2.37
3/4	Inch	4.37	4.37	4.60	7.00	7.50	0.49	1.07	0.71	8.15	7.05	4.92	13.65	15.87	27.56	9.48
	mm	111.00	111.00	117.00	178.00	190.00	12.50	27.4	18.00	207.00	179.00	125.00	6.19	7.20	12.50	4.30
1	Inch	4.75	4.75	5.00	8.00	8.50	0.49	1.34	0.87	9.45	8.68	6.30	21.15	25.25	37.50	17.20
	mm	120.00	120.00	127.00	203.00	216.00	12.50	34.1	22.00	240.00	220.00	160.00	9.60	11.50	17.00	7.80
1-1/4	Inch	6.00	6.00	5.50	8.50	9.00	0.49	1.68	1.18	10.16	9.13	6.30	23.15	29.76	51.81	17.20
	mm	152.00	152.00	140.00	216.00	229.00	12.50	42.9	30.00	258.00	232.00	160.00	10.50	13.50	23.50	7.80
1-1/2	Inch	6.75	6.75	6.50	9.00	9.50	0.49	1.92	1.42	13.00	11.81	7.09	37.48	43.43	85.54	27.56
	mm	172.00	172.00	165.00	229.00	241.00	12.50	49.0	36.00	330.00	300.00	180.00	17.00	19.70	38.80	12.50
2	Inch	7.87	7.87	8.00	10.50	11.50	0.63	2.41	1.81	14.00	13.50	7.87	48.50	54.45	96.56	38.58
	mm	200.00	200.00	203.00	267.00	292.00	16.00	61.5	46.00	355.00	243.00	200.00	22.00	24.70	43.80	17.50

(713) 673-2073 – Fax (713) 673-4641 - Toll Free (866) GO-BERIC (462-3742)

www.bericvalves.com

Globe Valve Full Port, Bolted Bonnet Forged Steel

522 SERIES



STANDARDS

DESIGN:

API 602
MSS SP-118
ASME B16.34

TESTING:

API 598

PRESSURE CLASS:

NPT & SW – 800
FLANGED – 150,300,600

CONNECTIONS:

NPT – ASME B1.20.1
SW - ASME B16.11
FLANGED – ASME B16.5
ASME B16.10

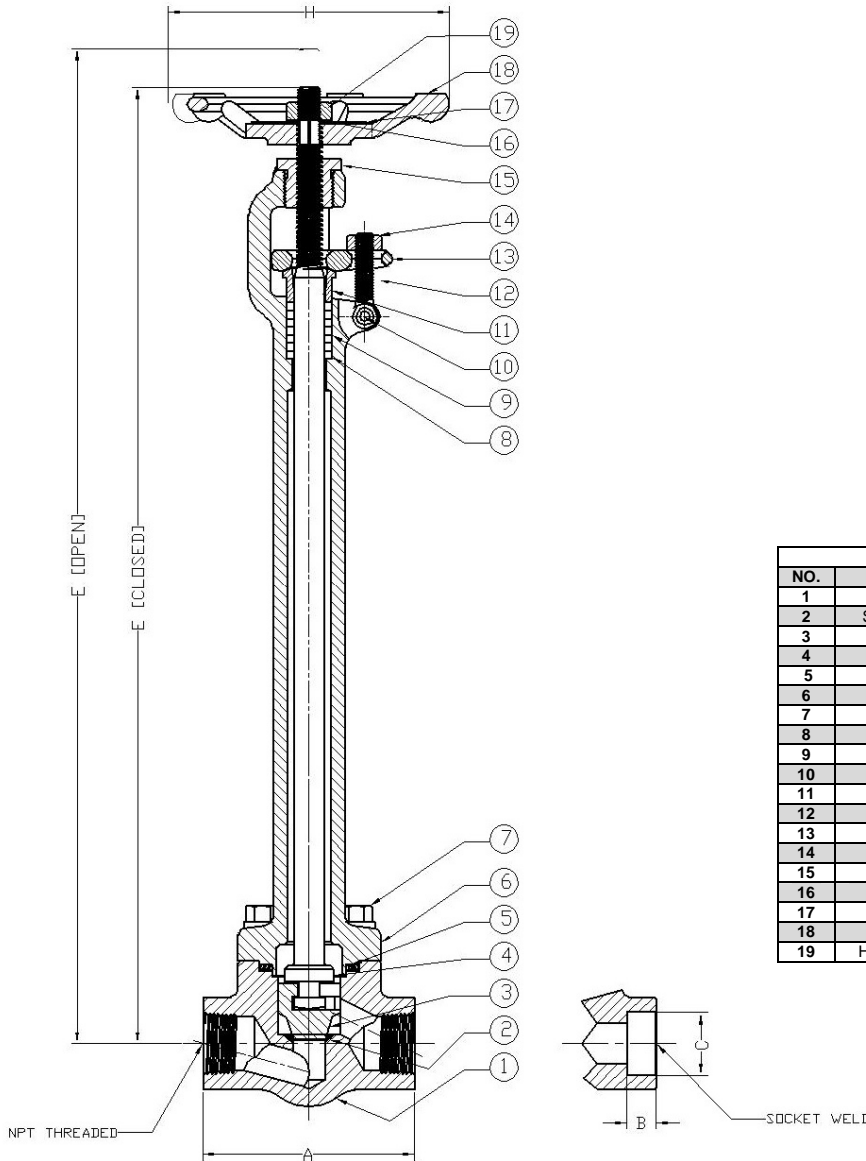
		MATERIAL LIST						
NO.	Part Name	A105	LF2	F5	F9	F11	F22	F316/F316L
1	Body	A105N	A350-LF2	A182-F5	A182-F9	A182-F11	A182-F22	A182-F316/F316L
2	Seat Ring	A276-410/CoCr-A						A276-316/CoCr-A
3	Disc	A276-410						A276-316
4	Stem	A276-410						A276-316
5	Gasket	Spiral Wound 304/Graphite						316/Graphite
6	Bonnet	A105N	A350-LF2	A182-F5	A182-F9	A182-F11	A182-F22	A182-F316/F316L
7	Wiper Ring	Braided Graphite						
8	Packing	Die Formed Graphite						
9	Body Bolt	A193-B7	A193-B8M	A193-B16			A193-B8M	
10	Eyebolt Pin	A276-410						A276-316
11	Gland	A276-410						A276-316
12	Eyebolt	A193-B7	A193-B8M	A193-B16			A193-B8M	
13	Gland Plate	A105						A182-F316
14	Gland Nut	A194-2H	A194-8M					
15	Op Nut	A276-410						A276-316
16	Washer	A276-410						
17	Nameplate	Aluminum						
18	Handwheel	KTH330-08						
19	Handwheel Nut	LY12 Steel						

		DIMENSIONS AND WEIGHTS										WGT.				
SIZE		AT	AS	AF-150	AF-300	AF-600	B	C	D (Min)	EO	EC	H	150	300	600	800
1/2	Inch	3.62	3.62	4.25	6.00	6.50	0.37	0.87	0.51	6.73	6.22	3.94	8.82	11.24	17.20	5.22
	mm	92.00	92.00	108.00	152.00	165.00	9.50	22.0	13.00	171.00	158.00	100.00	4.00	5.10	7.80	2.37
3/4	Inch	4.37	4.37	4.60	7.00	7.50	0.49	1.07	0.71	8.15	7.05	4.92	13.65	15.87	27.56	9.48
	mm	111.00	111.00	117.00	178.00	190.00	12.50	27.4	18.00	207.00	179.00	125.00	6.19	7.20	12.50	4.30
1	Inch	4.75	4.75	5.00	8.00	8.50	0.49	1.34	0.87	9.45	8.68	6.30	21.15	25.25	37.50	17.20
	mm	120.00	120.00	127.00	203.00	216.00	12.50	34.1	22.00	240.00	220.00	160.00	9.60	11.50	17.00	7.80
1-1/4	Inch	6.00	6.00	5.50	8.50	9.00	0.49	1.68	1.18	10.16	9.13	6.30	23.15	29.76	51.81	17.20
	mm	152.00	152.00	140.00	216.00	229.00	12.50	42.9	30.00	258.00	232.00	160.00	10.50	13.50	23.50	7.80
1-1/2	Inch	6.75	6.75	6.50	9.00	9.50	0.49	1.92	1.42	13.00	11.81	7.09	37.48	43.43	85.54	27.56
	mm	172.00	172.00	165.00	229.00	241.00	12.50	49.0	36.00	330.00	300.00	180.00	17.00	19.70	38.80	12.50
2	Inch	7.87	7.87	8.00	10.50	11.50	0.63	2.41	1.81	14.00	13.50	7.87	48.50	54.45	96.56	38.58
	mm	200.00	200.00	203.00	267.00	292.00	16.00	61.5	46.00	355.00	243.00	200.00	22.00	24.70	43.80	17.50

(713) 673-2073 – Fax (713) 673-4641 - Toll Free (866) GO-BERIC (462-3742)

www.bericvalves.com

Cryogenic Service Globe Valve Forged Steel



STANDARDS

DESIGN:

API 602
MSS SP-118
ASME B16.34

TESTING:

API 598

PRESSURE CLASS:

NPT & SW - 800

CONNECTIONS:

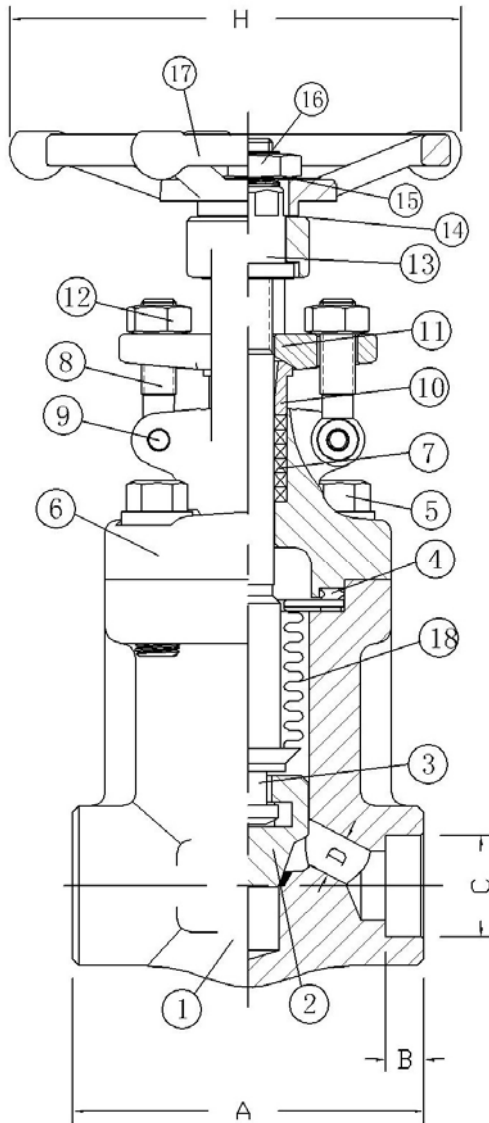
NPT - ASME B1.20.1
SW - ASME B16.11

MATERIAL LIST

NO.	Part Name	SPECIFICATION
1	Body	ASTM A182 Gr. F316/F316L
2	Seat (Integral)	CoCr-A
3	Disc	ASTM A276 Gr. 316
4	Stem	ASTM A276 Gr. 316
5	Gasket	Spiral Wound 316/Graphite
6	Bonnet	ASTM A182 Gr. F316/F316L
7	Body Bolt	ASTM A193 Gr. B8M
8	Wiper Rings	Braided Graphite
9	Packing	Die Formed Graphite
10	Eyebolt Pin	ASTM A276 Gr. 316
11	Gland	ASTM A276 Gr. 316
12	Eyebolt	ASTM A193 Gr. B8M
13	Gland Plate	ASTM A182 Gr. F316
14	Gland Nut	ASTM A194 Gr. 8M
15	Op Nut	ASTM A276 Gr. 316
16	Washer	ASTM A276 Gr. 410
17	Nameplate	Aluminum
18	Handwheel	KTH330-08
19	Handwheel Nut	LY12 Steel

DIMENSIONS AND WEIGHTS								
SIZE		A	B	C	D (Min)	EO	EC	H
1/2	Inch	3.11	0.37	0.87	0.38	16.34	15.87	4.92
	mm	79.00	9.50	22.0	9.5	415.0	403.0	125.0
3/4	Inch	3.62	0.49	1.07	0.51	16.63	16.00	4.92
	mm	92.00	12.50	27.4	13.0	422.5	406.5	125.0
1	Inch	4.37	0.49	1.34	0.71	18.00	17.09	6.30
	mm	111.00	12.50	34.1	18.0	457.0	434.0	160.0
1-1/2	Inch	4.75	0.49	1.92	1.18	19.38	18.00	7.09
	mm	152.00	12.50	49.0	30.0	492.0	457.0	180.0
2	Inch	5.50	0.63	2.41	1.42	21.38	19.00	7.50
	mm	172.00	16.00	61.5	36.0	543.0	482.6	190.5

Bellows Seal Globe Valve Forged Steel



STANDARDS

DESIGN:

API 602
MSS SP-118
ASME B16.34

TESTING:

API 598

PRESSURE CLASS:

NPT & SW - 800

CONNECTIONS:

NPT - ASME B1.20.1
SW - ASME B16.11

MATERIAL LIST		
NO.	Part Name	SPECIFICATION
1	Body/Seat	ASTM A105N/CoCr-A
2	Disc	ASTM A276 Gr. 410
3	Stem	ASTM A276 Gr. 316
4	Gasket	Spiral Wound 304/Graphite
5	Body Bolt	ASTM A193 Gr. B7
6	Bonnet	ASTM A105N
7	Packing	Die Formed Graphite
8	Eyebolt	ASTM A193 Gr. B7
9	Eyebolt Pin	ASTM A276 Gr. 304
10	Gland	ASTM A276 Gr. 410
11	Gland Plate	ASTM A105
12	Gland Nut	ASTM A194 Gr. 2H
13	Op Nut	ASTM A276 Gr. 410
14	Washer	ASTM A276 Gr. 410
15	Nameplate	Aluminum
16	Handwheel Nut	LY12 Steel
17	Handwheel	KTH330-08
18	Bellows	F316L

Contact factory for optional materials.

DIMENSIONS AND WEIGHTS						
SIZE		A	B	C	D (Min)	H
1/2	Inch	3.11	0.37	0.87	0.38	4.00
	mm	79.00	9.50	22.0	9.5	102.0
3/4	Inch	3.62	0.49	1.07	0.51	4.00
	mm	92.00	12.50	27.4	13.0	102.0
1	Inch	4.37	0.49	1.34	0.71	5.00
	mm	111.00	12.50	34.1	18.0	127.0
1-1/2	Inch	6.00	0.49	1.92	1.18	6.50
	mm	152.00	12.50	49.0	30.0	165.0
2	Inch	6.75	0.63	2.41	1.42	7.50
	mm	172.00	16.00	61.5	36.0	190.5