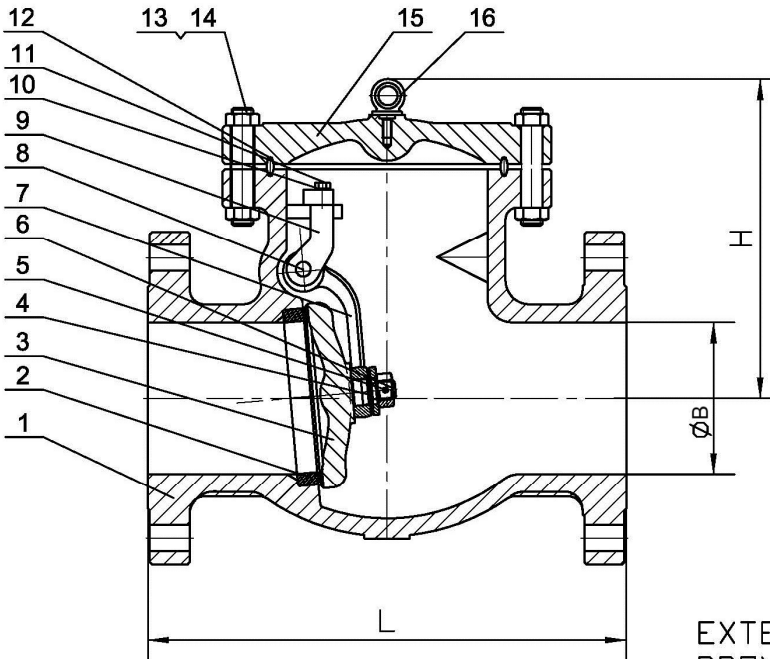


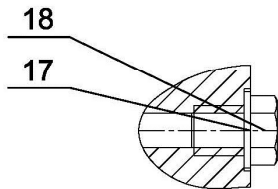
Check Valve Class 1500

Standards:

Face to Face Dimensions: ANSI B16.10
 End Flange Dimensions: ANSI B16.5
 Basic Design: ANSI B16.34
 * Conforms to the applicable requirements of API 600
 Test Standard: API 598



MATERIAL LIST						
NO.	Part Name	ASTM Specification (Specs - Grades/Types)				
		A 216	A 352	A 217	A 351	
		WCB	LCC	WC6	C5	CF8M
1	Body	A 216-WCB	A 352-LCC	A 217-WC6	A 217-C5	A 351-CF8M
2	Seat Ring	A 105, 316, or 304				
	Seat Ring Surface	13CR, HF (CoCr-A), 316, 304, or Monel				
3	Disc	A 216 - WCB	A 352-LCC	A 217-WC6	A 217-C5	A 351-CF8M
	Disc Seating Surface	13CR, HF (CoCr-A), 316, 304, or Monel				
4	Washer	13CR, 316, OR 304				
5	Pin	13CR, 316, OR 304				
6	Disc Nut	13CR, 316, OR 304				
7	Hinge Pin	A 216 - WCB	A 352-LCC	A 217-WC6	A 217-C5	A 351-CF8M
8	Hinge Pin	Stainless Steel				
9	Bearing Bracket	A 216 - WCB	A 352-LCC	A 217-WC6	A 217-C5	A 351-CF8M
10	Spring Washer	Stainless Steel				
11	Hex Bolt	Stainless Steel				
12	Gasket	Ring Joint - Iron				
13	Cover Bolt	A 193-B7	A 320-L7	A 193-B7	A 193-B16	A 193-B8
14	Cover Bolt Nut	A 194-2H	A 194-4	A 194-2H	A 194-4	A 194-8
15	Cover	A 216 - WCB	A 320-L7	A 193-B7	A 193-B16	A 193-B8
16	Eye Bolt	A181				
17	Spring Washer	Brass				
18	Plug	Carbon Steel				



EXTERNAL ACCESS HINGE PIN PROVIDED ON SIZES 12" AND ABOVE

DIMENSIONS AND WEIGHTS											
Size	NPS	2	2-1/2	3	4	6	8	10	12	14	16
L (RF)	In	14.50	16.50	18.50	21.50	27.75	32.75	39.00	44.50	49.50	54.50
	Mm	368	419	470	546	705	832	991	1130	1257	1384
L (RTJ)	In	14.63	16.63	18.63	21.63	28.00	33.13	39.38	45.13	50.25	55.38
	Mm	371	422	473	549	711	841	1000	1146	1276	1407
L (BW)	In	14.50	16.50	18.50	21.50	27.75	32.75	39.00	44.50	49.50	54.50
	Mm	368	419	470	546	705	832	991	1130	1257	1384
ØB	In	1.85	2.50	2.75	3.62	5.35	7.50	9.50	11.50	13.25	15.25
	Mm	47	64	70	92	136	190	241	292	336	388
H	In	12.25	12.25	13.00	14.00	15.75	20.88	22.06	25.63	30.90	36.61
	Mm	310	310	330	355	400	530	560	650	785	930
WT	KG	69	93	140	232	490	990	1490	1970	2450	3205
	LB	152.12	205.03	308.64	511.47	1080.25	2182.55	3284.85	4343.06	5401.27	7065.74