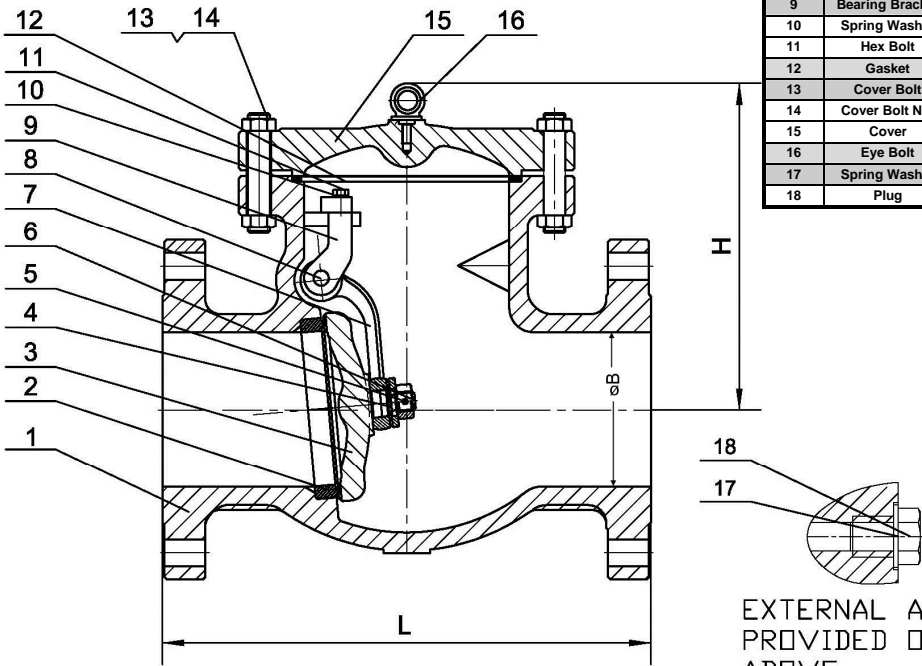


## Check Valve Class 300

**Standards:**

Face to Face Dimensions: ANSI B16.10  
 End Flange Dimensions: ANSI B16.5  
 26" ≥ MSS SP-44  
 Basic Design: ANSI B16.34  
 \* Conforms to the applicable requirements of API 600

MATERIAL LIST						
NO.	Part Name	ASTM Specification (Specs - Grades/Types)				
		A 216	A 352	A 217	A 351	
		WCB	LCC	WC6	C5	
1	Body	A 216-WCB	A 352-LCC	A 217-WC6	A 217-C5	A 351-CF8M
2	Seat Ring	A 105, 316, or 304				
	Seat Ring Surface	13CR, HF (CoCr-A), 316, 304, or Monel				
3	Disc	A 216 - WCB	A 352-LCC	A 217-WC6	A 217-C5	A 351-CF8M
	Disc Seating Surface	13CR, HF (CoCr-A), 316, 304, or Monel				
4	Washer	13CR, 316, OR 304				
5	Pin	13CR, 316, OR 304				
6	Disc Nut	13CR, 316, OR 304				
7	Hinge	A 216 - WCB	A 352-LCC	A 217-WC6	A 217-C5	A 351-CF8M
8	Hinge Pin	Stainless Steel				
9	Bearing Bracket	A 216 - WCB	A 352-LCC	A 217-WC6	A 217-C5	A 351-CF8M
10	Spring Washer	Stainless Steel				
11	Hex Bolt	Stainless Steel				
12	Gasket	Spiral Wound 316/Graphite				
13	Cover Bolt	A 193-B7	A 320-L7	A 193-B7	A 193-B16	A 193-B8
14	Cover Bolt Nut	A 194-2H	A 194-4	A 194-2H	A 194-4	A 194-8
15	Cover	A 216 - WCB	A 320-L7	A 193-B7	A 193-B16	A 193-B8
16	Eye Bolt	A181				
17	Spring Washer	Brass				
18	Plug	Carbon Steel				



EXTERNAL ACCESS HINGE PIN PROVIDED ON SIZES 12" AND ABOVE

DIMENSIONS AND WEIGHTS																		
Size	NPS	2	2-1/2	3	4	5	6	8	10	12	14	16	18	20	24	30	32	36
L	In	10.50	11.50	12.50	14.00	15.75	17.50	22.00	24.50	28.00	33.00	34.00	38.50	40.50	53.00	62.80	68.00	82.00
	Mm	267	292	318	356	400	444	553	622	711	838	863	978	1016	1346	1594	1727	2083
L (RF)	In	11.13	12.13	13.13	14.63	16.38	18.13	22.63	25.13	28.63	33.62	34.61	39.13	40.80	53.80	63.80	69.10	83.10
	Mm	283	308	333	371	416	460	575	638	727	854	879	994	1035	1368	1619	1755	2111
RTJ)	In	10.50	11.50	12.50	14.00	15.75	17.50	22.00	24.50	28.00	33.00	34.00	38.50	40.50	53.00	62.80	68.00	82.00
	Mm	267	292	318	356	400	444	553	622	711	838	863	978	1016	1346	1594	1727	2083
L (BW)	In	2.00	2.50	3.00	4.00	5.00	6.00	8.00	10.00	12.00	13.25	15.25	17.25	19.25	23.25	29.25	31.25	35.25
	Mm	51	64	76	102	127	152	203	254	305	337	387	432	483	584	735	794	895
H	In	7.00	7.50	8.30	9.70	12.00	12.50	14.00	15.50	19.00	21.00	23.00	23.30	24.20	27.90	34.00	40.00	45.00
	Mm	178	191	211	246	305	318	356	394	482	533	584	590	614	694	977	1016	1143
WT	KG	21	32	43	61	84	131	213	384	449	680	840	1025	1320	1960	3400	3700	4300
	LB	46.30	70.55	94.80	134.48	185.19	288.80	469.58	846.57	989.87	1499.13	1851.86	2259.72	2910.07	4321.02	7495.64	8157.02	9479.78