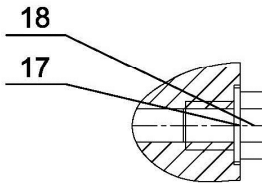
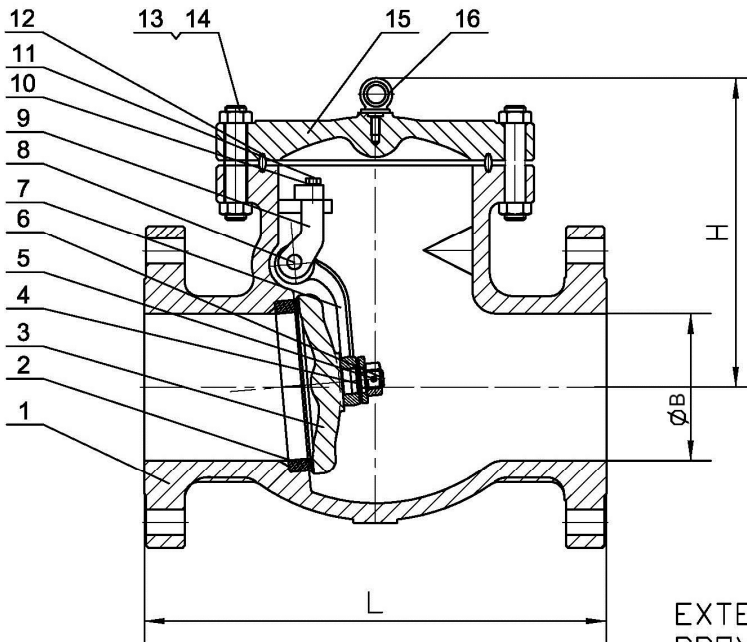


Check Valve Class 600

Standards:

Face to Face Dimensions: ANSI B16.10
 End Flange Dimensions: ANSI B16.5
 26" ≥ MSS SP-44
 Basic Design: ANSI B16.34
 * Conforms to the applicable requirements of API 600

MATERIAL LIST						
NO.	Part Name	ASTM Specification (Specs – Grades/Types)				
		A 216	A 352	A 217		
		WCB	LCC	WC6	C5	CF8M
1	Body	A 216-WCB	A 352-LCC	A217-WC6	A 217-C5	A 351-CF8M
2	Seat Ring	A 105, 316, or 304				
	Seat Ring Surface	13CR, HF (CoCr-A), 316, 304, or Monel				
3	Disc	A 216 – WCB	A 352-LCC	A217-WC6	A 217-C5	A 351-CF8M
	Disc Seating Surface	13CR, HF (CoCr-A), 316, 304, or Monel				
4	Washer	13CR, 316, OR 304				
5	Pin	13CR, 316, OR 304				
6	Disc Nut	13CR, 316, OR 304				
7	Hinge	A 216 – WCB	A 352-LCC	A217-WC6	A 217-C5	A 351-CF8M
8	Hinge Pin	Stainless Steel				
9	Bearing Bracket	A 216 – WCB	A 352-LCC	A217-WC6	A 217-C5	A 351-CF8M
10	Spring Washer	Stainless Steel				
11	Hex Bolt	Stainless Steel				
12	Gasket	Ring Joint - Iron				
13	Cover Bolt	A 193-B7	A 320-L7	A 193-B7	A 193-B16	A 193-B8
14	Cover Bolt Nut	A 194-2H	A 194-4	A 194-2H	A 194-4	A 194-8
15	Cover	A 216 – WCB	A 320-L7	A 193-B7	A 193-B16	A 193-B8
16	Eye Bolt	A181				
17	Spring Washer	Brass				
18	Plug	Carbon Steel				



EXTERNAL ACCESS HINGE PIN PROVIDED ON SIZES 12" AND ABOVE

DIMENSIONS AND WEIGHTS																			
Size	NPS	2	2-1/2	3	4	6	8	10	12	14	16	18	20	24	26	28	30	32	36
L (RF)	In	11.50	13.00	14.00	17.00	22.00	26.00	31.00	33.00	35.00	39.00	43.00	47.00	55.00	57.00	63.00	65.00	70.00	82.00
	Mm	292	330	356	432	559	660	787	838	889	990	1092	1194	1397	1448	1600	1651	1778	2083
L (RTJ)	In	11.63	13.13	14.13	17.13	22.13	26.13	31.13	33.13	35.13	39.13	43.13	47.25	55.38	55.38	63.50	65.50	70.62	82.62
	Mm	295	333	359	435	562	664	791	841	892	994	1096	1200	1407	1407	1613	1664	1794	2099
L (BW)	In	11.50	13.00	14.00	17.00	22.00	26.00	31.00	33.00	35.00	39.00	43.00	47.00	55.00	57.00	63.00	65.00	70.00	82.00
	Mm	292	330	356	432	559	660	787	838	889	990	1092	1194	1397	1448	1600	1651	1778	2083
ØB	In	2.00	2.50	3.00	4.00	6.00	7.87	9.75	11.75	12.87	14.88	17.25	19.25	22.00	25.25	27.25	29.25	31.25	35.25
	Mm	51	64	76	102	152	200	248	298	327	375	438	489	559	641	692	743	794	896
H	In	7.36	8.50	10.94	12.44	15.75	17.01	19.02	20.00	22.52	25.98	28.74	31.50	35.43	40.00	41.97	45.98	48.03	51.97
	Mm	187	216	278	316	400	432	483	508	572	660	730	800	900	1016	1066	1168	1220	1320
WT	KG	52	63	75	122	227	346	628	796	892	1200	1600	2420	3150	3800	4600	5500	6250	7800
	LB	114.6	138.9	165.3	269.0	500.4	762.8	1384.5	1754.9	1966.5	2645.5	3527.4	5335.1	6944.5	8377.5	10141.2	12125.3	13778.8	17195.9