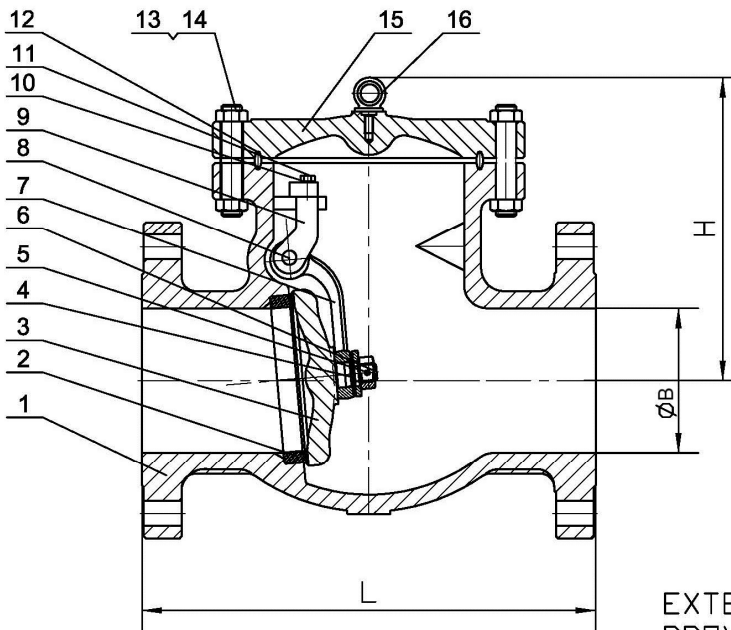


## Check Valve Class 900

### Standards:

Face to Face Dimensions: ANSI B16.10  
 End Flange Dimensions: ANSI B16.5  
 Basic Design: ANSI B16.34  
 \* Conforms to the applicable requirements of API 600  
 Test Standard: API 598



MATERIAL LIST						
NO.	Part Name	ASTM Specification (Specs - Grades/Types)				
		A 216	A 352	A 217	A 351	
		WCB	LCC	WC6	C5	CF8M
1	Body	A 216-WCB	A 352-LCC	A217-WC6	A 217-C5	A 351-CF8M
2	Seat Ring	A 105, 316, or 304				
	Seat Ring Surface	13CR, HF (CoCr-A), 316, 304, or Monel				
3	Disc	A 216 - WCB	A 352-LCC	A217-WC6	A 217-C5	A 351-CF8M
	Disc Seating Surface	13CR, HF (CoCr-A), 316, 304, or Monel				
4	Washer	13CR, 316, OR 304				
5	Pin	13CR, 316, OR 304				
6	Disc Nut	13CR, 316, OR 304				
7	Hinge	A 216 - WCB	A 352-LCC	A217-WC6	A 217-C5	A 351-CF8M
8	Hinge Pin	Stainless Steel				
9	Bearing Bracket	A 216 - WCB	A 352-LCC	A217-WC6	A 217-C5	A 351-CF8M
10	Spring Washer	Stainless Steel				
11	Hex Bolt	Stainless Steel				
12	Gasket	Ring Joint - Iron				
13	Cover Bolt	A 193-B7	A 320-L7	A 193-B7	A 193-B16	A 193-B8
14	Cover Bolt Nut	A 194-2H	A 194-4	A 194-2H	A 194-4	A 194-8
15	Cover	A 216 - WCB	A 320-L7	A 193-B7	A 193-B16	A 193-B8
16	Eye Bolt	A181				
17	Spring Washer	Brass				
18	Plug	Carbon Steel				

EXTERNAL ACCESS HINGE PIN PROVIDED ON SIZES 12" AND ABOVE

DIMENSIONS AND WEIGHTS											
Size	NPS	2	2-1/2	3	4	6	8	10	12	14	16
L (RF)	In	14.50	16.50	15.00	18.00	24.00	29.00	33.00	38.00	40.50	44.50
	Mm	368	419	381	457	610	737	838	965	1029	1130
L (RTJ)	In	14.63	16.63	15.13	18.13	24.13	29.13	33.13	38.13	40.88	44.88
	Mm	371	422	384	460	613	740	841	968	1038	1140
L (BW)	In	14.50	16.50	15.00	18.00	24.00	29.00	33.00	38.00	40.50	44.50
	Mm	368	419	381	457	610	737	838	965	1029	1130
ØB	In	1.85	1.92	2.87	3.87	5.75	7.50	9.38	11.12	13.25	15.25
	Mm	47	57	73	98	146	190	238	282	336	388
H	In	9.88	10.60	9.13	12.30	14.30	17.00	18.90	22.00	24.80	27.60
	Mm	250	270	230	310	360	430	480	560	629	700
WT	KG	69	93	85	145	310	500	772	1080	1500	2130
	LB	152.12	205.03	187.39	319.67	683.43	1102.30	1701.95	2380.97	3306.90	4695.80