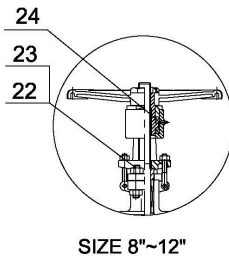
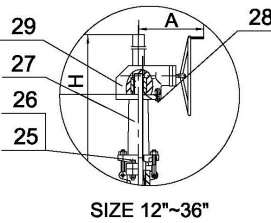
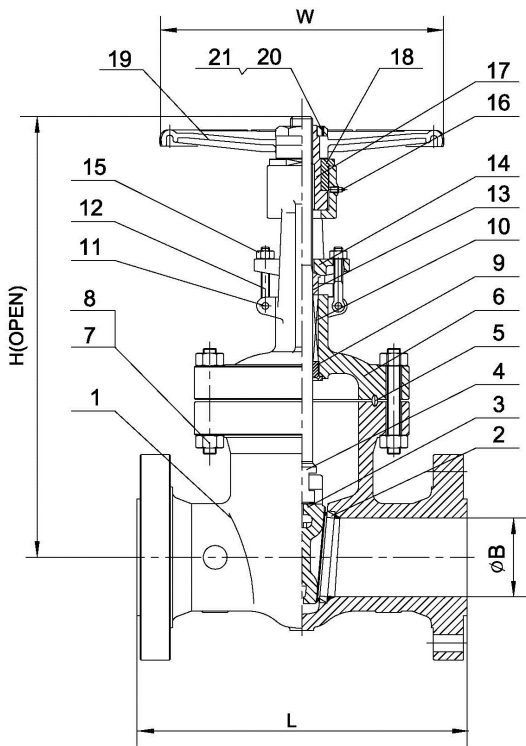


BERIC DAVIS COMPANIES INTERNATIONAL, LTD.

Connecting Business Worldwide!

Gate Valve Class 600

Standards:
Face to Face Dimensions: ASME B16.10
End Flange Dimensions: ASME B16.5
26" ≥ MSS SP-44
Or ASME B16.47
Basic Design: API 600
Test Standard: API 598



MATERIAL LIST						
NO.	Part Name	ASTM Specification (Specs - Grades/Types)				
		A 216	A 352	A 217	A 351	
		WCB	LCC	WC6	C5	CF8M
1	Body	A 216-WCB	A 352-LCC	A217-WC6	A 217-C5	A 351-CF8M
2	Seat Ring	A 105, LF2, 316, or 304				
	Seat Ring Surface	13CR, HF (CoCr-A), 316, 304, or Monel				
3	Gate	A 216 - WCB	A 352-LCC	A217-WC6	A 217-C5	A 351-CF8M
	Gate Seating Surface	13CR, HF (CoCr-A), 316, 304, or Monel				
4	Stem	13CR, 316, 304, 17-4PH, or Monel				
5	Gasket	Ring Joint Gasket				
6	Bonnet	A 216 - WCB	A 352-LCC	A217-WC6	A 217-C5	A 351-CF8M
7	Bonnet Bolt Nut	A 194-2H	A 194-4	A 194-2H	A 194-4	A 194-8
8	Bonnet Bolt	A 193-B7	A 320-L7	A 193-B7	A 193-B16	A 193-B8
9	Bonnet Bushing	13CR, 316, or 304				
10	Packing	Braided Graphite & Die Formed Graphite Ring				
11	Eye Bolt Pins	Carbon Steel				A 276 Type 316
12	Gland Eye Bolts	A 193-B7	A 320-L7	A 193-B7	A 193-B8	
13	Gland	13CR, 316, or 304				
14	Gland Flange	A 216 - WCB	A 352-LCC	A217-WC6	A 217-C5	A 351-CF8M
15	Eye Bolt Nut	A 194-2H	A 194-7	A 194-2H	A 194-8	
16	Grease Nipple	Carbon Steel				A 276 Type 316
17	Yoke Sleeve	A 439 Gr. D2C				
18	Retaining Nut	Carbon Steel				A 276 Type 316
19	Handwheel	Malleable Iron				
20	Handwheel Nut	Carbon Steel				A 276 Type 316
21	Screw	Carbon Steel				
22	Yoke Pad Bolts	A 193-B7				A 276 Type 316
23	Yoke Pad Bolt Nuts	A 194-2H				A 276 Type 316
24	Bearing	Carbon Steel				
25	Yoke	A 216 - WCB	A 352-LCC	A217-WC6	A 217-C5	A 351-CF8M
26	Yoke Pad Bolt	A 193-B7	A 320-L7	A 193-B7	A 193-B16	A 193-B8
27	Yoke Pad Bolt Nuts	A 194-2H	A 194-4	A 194-2H	A 194-4	A 194-8
28	Stud	Carbon Steel				
29	Gear	Carbon Steel				

DIMENSIONS AND WEIGHTS														
Size	NPS	2	2-1/2	3	4	5	6	8	10	12	14	16	18	20
L	In	11.50	13.00	14.00	17.00	20.00	22.00	26.00	31.00	33.00	35.00	39.00	43.00	47.00
	Mm	292	330	356	432	508	559	660	787	838	889	991	1092	1194
L (RF)	In	11.62	13.12	14.12	17.12	20.12	22.12	26.12	31.12	33.12	35.12	39.12	43.12	47.25
	Mm	295	333	359	435	511	562	663	790	841	892	994	1095	1200
L (RTJ)	In	11.50	13.00	14.00	17.00	20.00	22.00	26.00	31.00	33.00	35.00	39.00	43.00	47.00
	Mm	292	330	356	432	508	559	660	787	838	889	991	1092	1194
A	In									16.18	19.69	19.69	19.69	19.69
	Mm									411	500	500	500	500
ØB	In	2.01	2.52	2.99	4.02	5.00	5.98	7.87	9.76	11.73	12.87	14.76	16.50	18.27
	Mm	51	64	76	102	127	152	200	248	298	327	375	419	464
H	In	20.16	22.12	24.75	29.80	30.12	38.98	52.17	58.39	68.66	69.56	75.75	80.94	89.96
	Mm	512	562	629	757	765	990	1325	1483	1744	1767	1924	2056	2285
W	In	10	10	12	14	16	18	20	25	25	28*	35*	44*	
	Mm	250	250	300	350	400	450	500	640	640	720*	720*	900*	1120*
WT	KG	46	55	72	107	128	266	419	754	981	1316	1672	2070	2405
	LB	101	121	159	236	282	586	924	1662	2463	2901	3686	4564	5302

*GEAR OPERATOR RECOMMENDED

(713) 673-2073 – Fax (713) 673-4641 - Toll Free (866) GO-BERIC (462-3742)

www.bericvalves.com