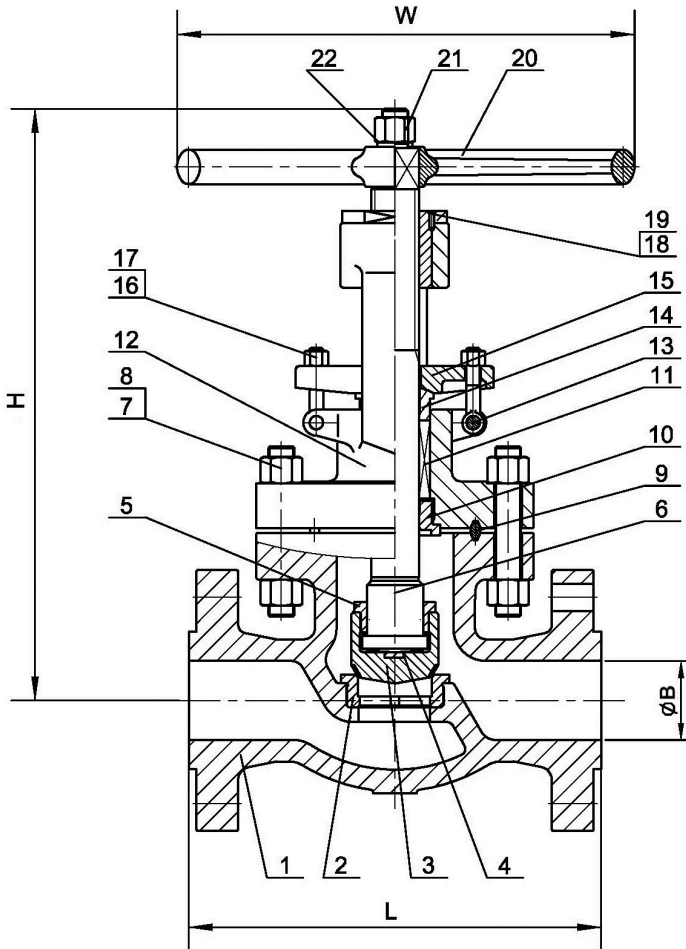


Globe Valve Class 600



MATERIAL LIST						
NO.	Part Name	ASTM Specification (Specs - Grades/Types)				
		A 216	A 352	A 217	A 351	
		WCB	LCC	WC6	C5	CF8M
1	Body	A 216-WCB	A 352-LCC	A 217-WC6	A 217-C5	A 351-CF8M
2	Seat Ring	A 105, LF2, 316, or 304				
	Seat Ring Surface	13CR, HF (CoCr-A), 316, 304, or Monel				
3	Disc	A 216 - WCB	A 352-LCC	A 217-WC6	A 217-C5	A 351-CF8M
	Disc Seating Surface	13CR, HF (CoCr-A), 316, 304, or Monel				
4	Disc Thrust Plate	13CR, 316, OR 304				
5	Disc Nut	13CR, 316, OR 304				
6	Stem	13CR, 316, 304, 17-4PH, or Monel				
7	Bonnet Bolt Nut	A 194-2H	A 194-4	A 194-2H	A 194-4	A 194-8
8	Bonnet Bolt	A 193-B7	A 320-L7	A 193-B7	A 193-B16	A 193-B8
9	Gasket	Ring Joint - Iron				
10	Bonnet Bushing	13CR, 316, OR 304				
11	Gland Packing	Braided Graphite & Die Formed Graphite Ring				
12	Bonnet	A 216-WCB	A 352-LCC	A 217-WC6	A 217-C5	A 351-CF8M
13	Eye Bolt Pins	13CR, 316, or 304				
14	Gland	13CR, 316, or 304				
15	Gland Flange	A 216-WCB	A 352-LCC	A 217-WC6	A 217-C5	A 351-CF8M
16	Gland Eye Bolts	A 193-B7	A 320-L7	A 193-B7	A 193-B16	A 193-B8
17	Eye Bolt Nuts	A 194-2H	A 194-4	A 194-2H	A 194-4	A 194-8
18	Yoke Sleeve	ASTM A 439 Gr. D2C				
19	Screw	Carbon Steel				A 276-316
20	Handwheel	Malleable Iron				
21	Handwheel Nut	Carbon Steel				A 276-316
22	Backing Ring	Carbon Steel				A 276-316

Standards:

Face to Face Dimensions: ANSI B16.10
 End Flange Dimensions: ANSI B16.5
 Basic Design: ASME B16.34
 Wall Thickness Per: API-600
 Test Standard: API 598

DIMENSIONS AND WEIGHTS												
Size	NPS	2	2-1/2	3	4	6	8	10	12	14	16	18
L	In	11.50	13.00	14.00	17.00	22.00	26.00	31.00	33.00	35.00	39.00	43.00
	Mm	292	330	356	432	559	660	787	838	889	991	1092
L (RF)	In	11.63	13.13	14.13	17.13	22.13	26.13	31.13	33.13	35.13	39.13	43.13
	Mm	295	333	359	435	562	664	791	842	892	994	1096
L (RTJ)	In	11.50	13.00	14.00	17.00	22.00	26.00	31.00	33.00	35.00	39.00	43.00
	Mm	292	330	356	432	559	660	787	838	889	991	1092
L (BW)	In	11.50	13.00	14.00	17.00	22.00	26.00	31.00	33.00	35.00	39.00	43.00
	Mm	292	330	356	432	559	660	787	838	889	991	1092
ØB	In	2.00	2.50	3.00	4.00	6.00	7.87	9.75	11.75	12.87	15.25	17.25
	Mm	51	64	76	102	152	200	248	298	327	387	438
H	In	15.00	18.00	19.00	22.00	34.00	37.00	40.00	43.00	47.00	54.00	58.00
	Mm	390	445	495	570	870	940	1010	1100	1200	1371	1473
W	In	10	12	14	16	20	22	25	28	32	32	32
	Mm	250	300	350	400	500	560	640	700	810	810	810
WT	KG	57	73	89	149	417	542	700	900	1200	1450	1820
	LB	126	161	196	328	919	1195	1543	1984	2645	3197	4012