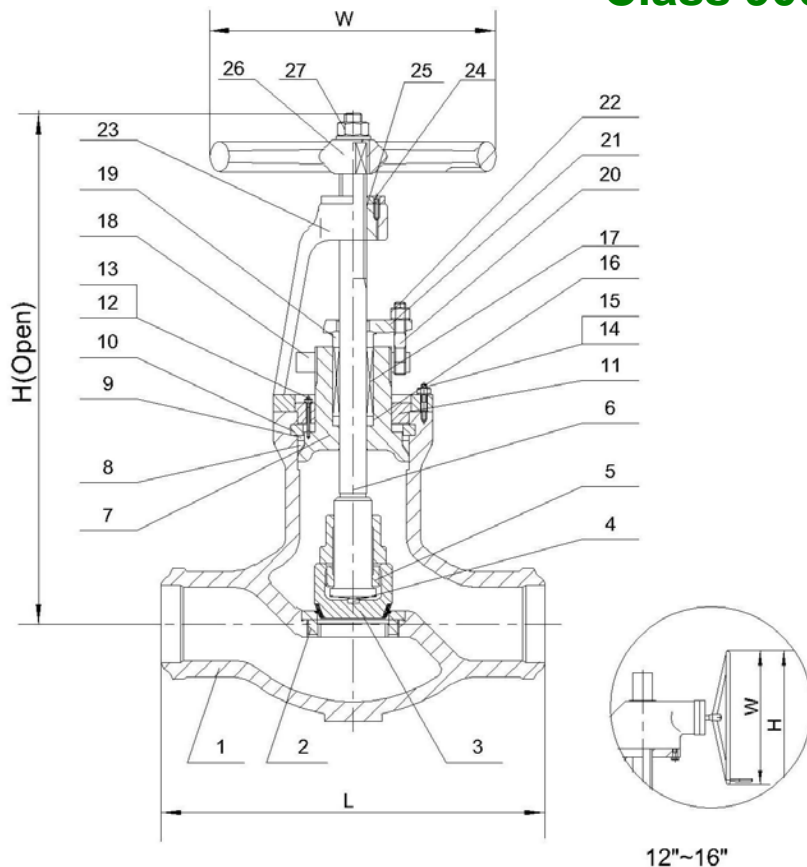


Pressure Seal Globe Valve Class 900

Standards:

Face to Face Dimensions: ANSI B16.10
 End Flange Dimensions: ANSI B16.5
 Basic Design: ANSI B16.34
 *Conforms to the applicable requirements of API 600
 Test Standard: API 598



MATERIAL LIST		
NO.	Part Name	ASTM Specification (Specs - Grades/Types)
1	Body	A 216 Gr. WCB
2	Seat Ring	A 105/CoCr-A HF
	Seat Ring Surface	CoCr-A HF
3	Disc	A 105
	Disc Seating Surface	CoCr-A HF
4	Disc Thrust Plate	A 276 Type 410
5	Disc Nut	A 276 Type 410
6	Stem	A 182 Gr. F6
7	Stuffing Box	A 216 Gr. WCB
8	Sealing Ring	A 276 Type 304
9	Pressure Ring	A 276 Type 420
10	Segment Ring	A 276 Type 410
11	Support Plate	A 216 Gr. WCB
12	Box-Plate Bolt	A 193 Gr. B7
13	Box-Plate Nut	A 194 Gr. 2H
14	Bonnet Bolts	A 193 Gr. B7
15	Bonnet Nuts	A 194 Gr. 2H
16	Lantern	A 276 Type 410
17	Packing	Braided Graphite & Die Formed Graphite
18	Gland Flange Seat	A 182 Gr. F6
19	Gland	A 276 Type 410
20	Gland Eye Bolt	A 193 Gr. B7
21	Gland Flange	A 216 Gr. WCB
22	Gland Eyebolt Nut	A 194 Gr. 2H
23	Bonnet	A 216 Gr. WCB
24	Screw	Carbon Steel A 193 Gr. B7
25	Yoke Sleeve	A 439 Gr. D2
26	Handwheel	Malleable Iron
27	Handwheel Nut	Carbon Steel
28	Gear Protector	Carbon Steel

12"~16"

DIMENSIONS AND WEIGHTS										
Size	NPS	2	3	4	6	8	10	12	14	16
L (RF)	In	14.50	12.00	14.00	20.00	26.00	31.00	36.00	39.00	43.00
	Mm	368	304	355	508	660	787	914	991	1092
L (BW)	In	14.50	12.00	14.00	20.00	26.00	31.00	36.00	39.00	43.00
	Mm	368	304	355	508	660	787	914	991	1092
øb	In	1.69	2.13	2.63	3.44	5.18	6.81	8.50	10.13	11.18
	Mm	43	54	67	87	132	173	216	257	284
H	In	23.62	26.97	32.99	43.98	55.98	61.73	78.15	71.97	85.00
	Mm	600	685	838	1117	1422	1568	1985	1828	2159
W	In	13.78	17.72	19.69	28.35	31.50	33.46	35.43	24.02	24.02
	Mm	350	450	500	720	800	850	900	610	610
WT	KG	87	105	195	455	800	1250	1568	1750	2200
	LB	192	231	430	1003	1764	2756	3457	3858	4850