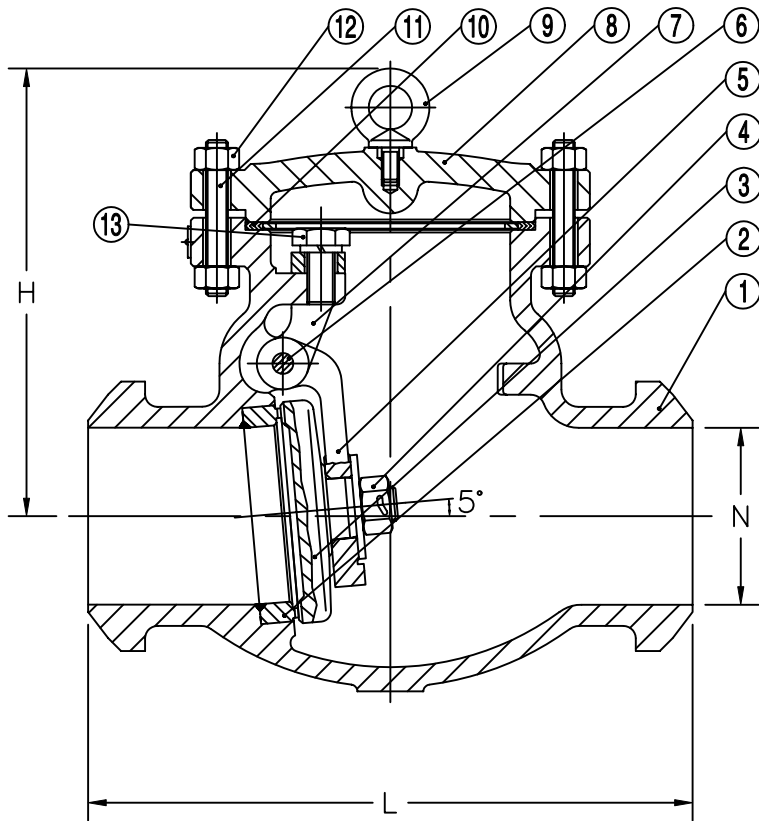


IT.	DESCRIPTION	MATERIAL
1	BODY	ASTM A216 GR. WCB
2	SEAT RING	ASTM A105 + STELLITE
3	DISC	ASTM A216 WCB/13CR.
4	DISC NUT	ASTM A194 GR. 2H
5	HINGE	ASTM A216 GR. WCB
6	HINGE PIN	ASTM A182 GR. F6
7	YOKE	ASTM A216 GR. WCB
8	COVER	ASTM A216 GR. WCB
9	EYEBOLT	ASTM A105
10	GASKET	316 + GRAPHITE
11	COVER BOLT	ASTM A193 GR. B7
12	COVER NUT	ASTM A194 GR. 2H
13	HINGE BOLT	ASTM A193 GR. B7



SIZE	L	N	H
4"	14	4	10.3
100mm	356	102	262


STANDARDS	
Design	API 6D, ANSI B 16.34
Pressure - Temp. Rating	ANSI B16.34
Face to Face Dimension	ANSI B16.10
Connection	ANSI B16.25
Test & Inspection	API 598

CUSTOMER:
P.O. NUMBER:
TAG NUMBER:
JOB NUMBER:
BB/TRIM: A216 GR. WCB / 13 CR.

B

BONNEY FORGE

U.S. ROUTE 522 SOUTH
P.O. BOX 330
MOUNT UNION, PA 17066



ISO 9001
Certificate Number: 30116

**SWING CHECK VALVE (BW)
CAST STEEL BOLTED BONNET
ANSI CLASS 300 SIZE 4"**

REV	DESCRIPTION	DATE	BY	DR.	DATE	SCALE	DRAWING NO.	REV.
	REVISIONS			BSG	6-12-00	NONE	3-61-BW	0
				GLW				