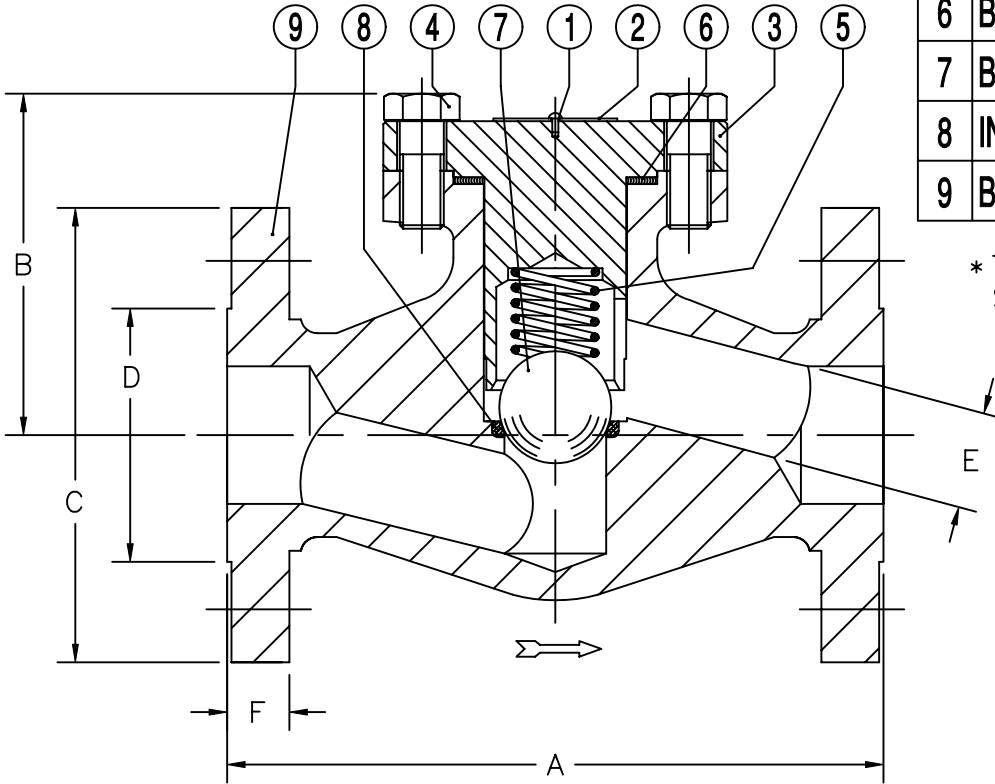


- SMOOTH FINISH (125-250 AARH)
- SERRATED SPIRAL FINISH
- \_\_\_\_\_

IT.	DESCRIPTION	MATERIAL
1	RIVET	CARBON STEEL
2	NAME PLATE	ALUMINUM
3	BONNET	A105N
4	B/B BOLTS	A193-B7M
5	SPRING	*
6	B/B GASKET	MONEL + GRAPHITE
7	BALL	MONEL K-500
8	INTEGRAL SEAT	+ STELLITE
9	BODY	A105N

\* THE SPRING WILL BE SUPPLIED ON REQUEST



VALVE SIZE	1/4	3/8	1/2	3/4	1	1 1/4	1 1/2	2
<b>DIMENSION</b>								
A			4 1/4	4 5/8	5		6 1/2	8
B			2 15/16	3 1/8	3 3/8		4 5/16	4 3/4
C			3 1/2	3 7/8	4 1/4		5	6
D			1 3/8	1 11/16	2		2 7/8	3 5/8
E			.354	.512	.689		1.161	1.378
F			7/16	1/2	9/16		11/16	3/4
ITEM#								
APPROX. WT.			5	6 3/4	10		18 3/4	30 3/4

CUSTOMER:  
P.O. NUMBER:  
TAG NUMBER:  
JOB NUMBER:  
BB/TRIM: A105N/ MONEL K-500

**B** **BONNEY FORGE**  
U.S. ROUTE 522 SOUTH  
P.O. BOX 330  
MOUNT UNION, PA 17066



**ISO 9001**  
Certificate Number: 30116

**BALL CHECK VALVES  
INTEGRAL RF FLANGE ENDS  
CL.150# - REDUCED BORE**

REV	DESCRIPTION	DATE	BY	DR. BSG	DATE 05-26-00	DRAWING NO.	REV.
	REVISIONS			APPD. GW	SCALE NONE	<b>L1-54-RF</b>	<b>0</b>