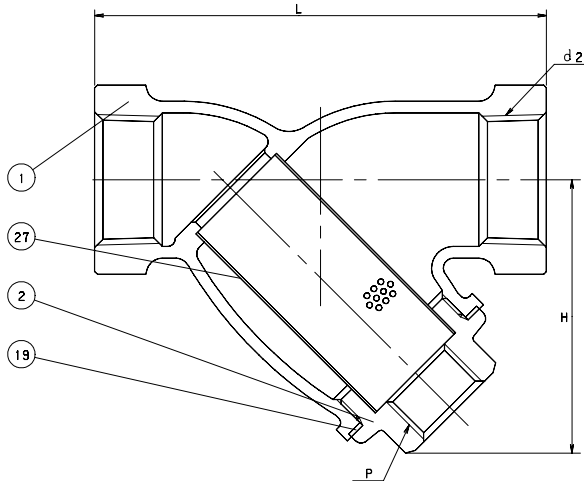


# STRAINER

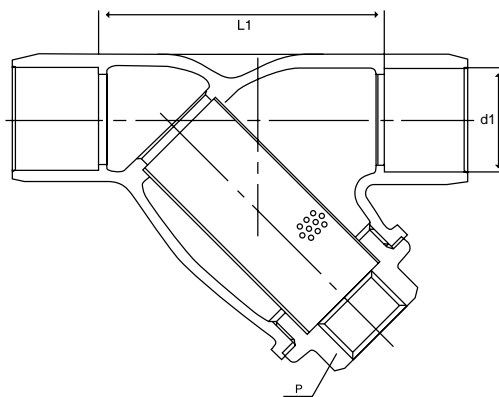
## CLASS 150 BRONZE

Y-Pattern • Threaded Cap and Ends  
Stainless Steel (304) Punched Screen

### CODE # 15 (AKYU) THREADED



### CODE # 16 (CYU) SOLDER\*



#### STANDARDS

END TO END	KITZ
THREADED ENDS	ANSI B1.20.1
SOLDER JOINT ENDS	ANSI B16.18
WALL THICKNESS	KITZ
DESIGN	KITZ

#### PRESSURE/TEMPERATURE

150 PSI - SATURATED STEAM TO 366°F - FLUID TO 406°F 300 PSI NON-SHOCK COLD WATER, OIL OR GAS
--

#### MATERIAL LIST

NO.	NAME OF PART	SPECIFICATION
1	BODY	CAST BRONZE (B584, C84400)
2	*CAP	FORGED BRASS (B283, C37700)
19	GASKET	NON-ASBESTOS SHEET
27	SCREEN	STAINLESS STEEL (A167, TYPE 304)

\* Cap supplied without plug. Blind cap optionally available.

#### DIMENSIONS - WEIGHTS - QUANTITIES

d2 SIZE	H	L	P	L1	d1		APPROX. NET WT.	CARTON QTY
					Max.	Min.		
1/4	1.73	2.76	1/4	-	-	-	54	96
3/8	1.73	2.76	1/4	-	.506	.502	54	96
1/2	1.93	3.15	1/4	2.15	.631	.627	61	80
3/4	2.28	3.94	1/4	2.63	.881	.877	62	48
1	2.80	4.53	1/2	3.10	1.132	1.128	67	36
1 1/4	3.19	5.31	1/2	3.77	1.382	1.378	70	24
1 1/2	3.82	6.30	3/4	4.51	1.633	1.628	69	16
2	4.72	7.68	1	5.59	2.133	2.128	58	8
2 1/2	5.83	9.06	1 1/4	-	2.633	2.628	13	1
3	7.09	9.45	1 1/2	-	3.133	3.128	19	1

NOTE: The standard punched screen is approximately 12 mesh screen. Other mesh screens are available (see spare parts in price sheet).

\*SEE PRESSURE/TEMPERATURE LIMITATIONS  
FOR SOLDER JOINT VALVES - P. BIV-50.