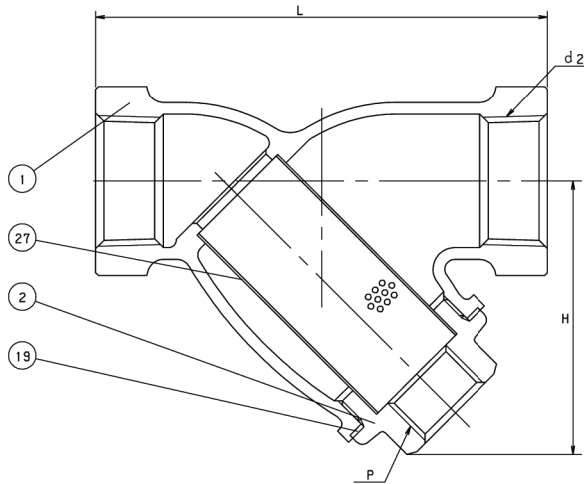


STRAINER

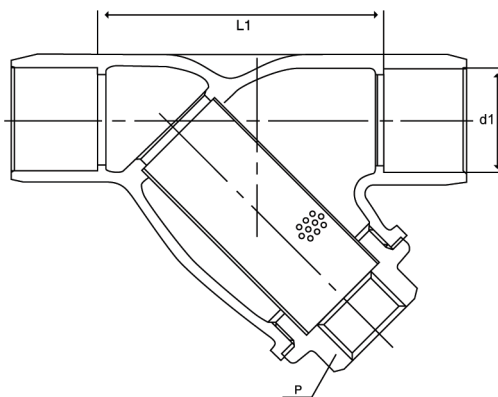
CLASS 150 BRONZE

Y-Pattern • Threaded Cap and Ends
Stainless Steel (304) Punched Screen

CODE # 15 THREADED



CODE # 16 SOLDER*



| STANDARDS | |
|-------------------|--------------|
| END TO END | KITZ |
| THREADED ENDS | ANSI B1.20.1 |
| SOLDER JOINT ENDS | ANSI B16.18 |
| WALL THICKNESS | KITZ |
| DESIGN | KITZ |

| PRESSURE/TEMPERATURE | |
|--|--|
| 150 PSI - SATURATED STEAM TO 366°F - FLUID TO 406°F | |
| 300 PSI NON-SHOCK COLD WATER, OIL OR GAS | |

| MATERIAL LIST | | |
|---------------|--------------|----------------------------------|
| NO. | NAME OF PART | SPECIFICATION |
| 1 | BODY | CAST BRONZE (B584, C84400) |
| 2 | *CAP | FORGED BRASS (B283, C37700) |
| 19 | GASKET | NON-ASBESTOS SHEET |
| 27 | SCREEN | STAINLESS STEEL (A167, TYPE 304) |

* Cap supplied without plug. Blind cap optionally available.

| DIMENSIONS - WEIGHTS - QUANTITIES | | | | | | | | |
|-----------------------------------|------|------|-------|------|-------|-------|--------------------|---------------|
| d2 SIZE | H | L | P | L1 | d1 | | APPROX. NET WT. | CARTON QTY |
| | | | | | Max. | Min. | | |
| 1/4 | 1.73 | 2.76 | 1/4 | - | - | - | 54 | 96 |
| 3/8 | 1.73 | 2.76 | 1/4 | - | .506 | .502 | 54 | 96 |
| 1/2 | 1.93 | 3.15 | 1/4 | 2.15 | .631 | .627 | 61 | 80 |
| 3/4 | 2.28 | 3.94 | 1/4 | 2.63 | .881 | .877 | 62 | 48 |
| 1 | 2.80 | 4.53 | 1/2 | 3.10 | 1.132 | 1.128 | 67 | 36 |
| 1 1/4 | 3.19 | 5.31 | 1/2 | 3.77 | 1.382 | 1.378 | 70 | 24 |
| 1 1/2 | 3.82 | 6.30 | 3/4 | 4.51 | 1.633 | 1.628 | 69 | 16 |
| 2 | 4.72 | 7.68 | 1 | 5.59 | 2.133 | 2.128 | 58 | 8 |
| 2 1/2 | 5.83 | 9.06 | 1 1/4 | - | 2.633 | 2.628 | 13 | 1 |
| 3 | 7.09 | 9.45 | 1 1/2 | - | 3.133 | 3.128 | 19 | 1 |

NOTE: The standard punched screen is approximately 12 mesh screen. Other mesh screens are available (see spare parts in price sheet).

*SEE PRESSURE/TEMPERATURE LIMITATIONS FOR SOLDER JOINT VALVES - P. BIV-50.

