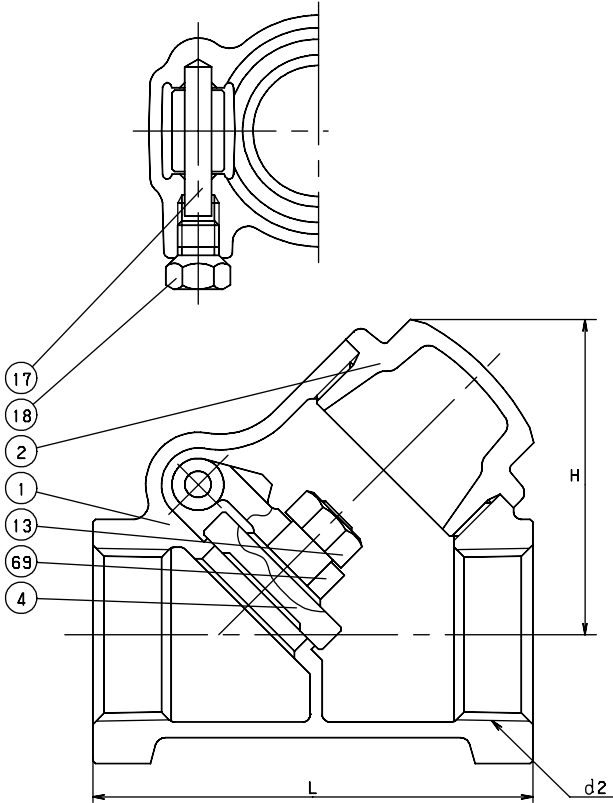


CHECK

CLASS 300 BRONZE

Y-Pattern Swing Check • Integral Seat
Swing Type Disc

CODE # 19 (AK300YR)
THREADED



STANDARDS

END TO END	KITZ
THREADED ENDS	ANSI B1.20.1
DESIGN	MSS SP-80, TYPE 3
MILITARY	MSS SP-80, TYPE 3

PRESSURE/TEMPERATURE

300 PSI - SATURATED STEAM TO 421°F - FLUID TO 550°F
600 PSI NON-SHOCK COLD WATER, OIL OR GAS

MATERIAL LIST

NO.	NAME OF PART	SPECIFICATION
1	BODY	CAST BRONZE (ASTM B61)
2	CAP	CAST BRONZE (ASTM B61)
4	DISC	CAST BRONZE (ASTM B61)
13	DISC NUT	BRASS ROD (B16)
17	HINGE PIN	COPPER
18	PLUG	BRASS ROD (B16)
69	ARM	CAST BRONZE (ASTM B61)

DIMENSIONS - WEIGHTS - QUANTITIES

d2 SIZE	H	L	APPROX. NET WT.	CARTON QTY
1/2	1.65	2.36	61	80
3/4	2.01	2.83	55	48
1	2.40	3.31	64	36
1 1/4	2.91	3.90	72	24
1 1/2	3.27	4.45	63	16
2	3.86	5.16	50	8