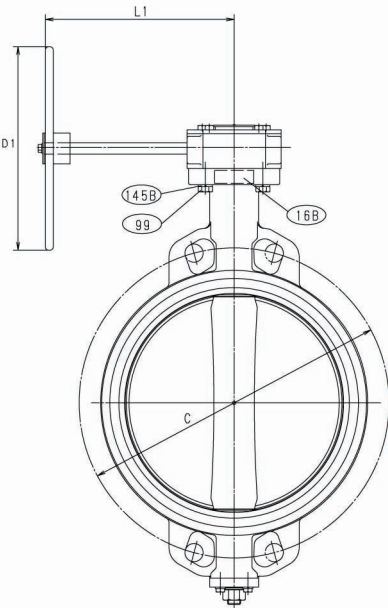
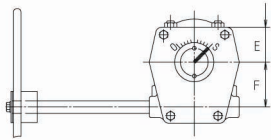


BUTTERFLY VALVES - 150 PSI

Ductile Iron Body • Extended Neck • ISO Mounting Pad
Key Drive • Bonded Seat Liner • Gear Operator • Lug & Wafer Design
SIZE 14" ~ 24"

DESIGN STANDARDS: MSS SP-67, MSS SP-25 & API-609 END CONNECTION: ANSI CLS. 125/150 FLANGES WALL THICKNESS: KITZ STD

DJ SERIES BUTTERFLY VALVES - 150 PSI - GEAR OPERATOR



MATERIAL LIST		
NO.	NAME OF PART	SPECIFICATION
1	BODY	DUCTILE IRON (A536)
3	STEM (14")	STAINLESS STEEL (A276, Type 410)
	STEM (16"-24")	STAINLESS STEEL (A276, Type 420)
4	DISC	DUCTILE IRON, AL. BRONZE, AND 316 SS
16A/B	NAME PLATE	ALUMINUM
35	END PLATE BOLTS	CARBON STEEL
36	GLAND PLATE BOLT	STAINLESS STEEL
45A/B	O-RING	NBR/EPDM
60A/B	KEY	CARBON STEEL
67A/B/C	STEM BEARING	G/F PTFE
99	SET BOLTS	CARBON STEEL
102	GEAR UNIT	
103	BOTTOM STEM (14")	STAINLESS STEEL
	BOTTOM STEM (16"-24")	STAINLESS STEEL (A276, Type 420)
106	SEAT RUBBER	NBR/EPDM/FKM (Viton)
133	NUT	CARBON STEEL
144	GLAND PLATE	CARBON STEEL
145A/B	SPRING WASHER	CARBON STEEL
147	END PLATE	CARBON STEEL
155	SEAL WASHER	CARBON STEEL
A	SUPPORT BOLT	ALLOY STEEL

(1) Line scribed on top of the stem indicates the disc direction.



Code # 5111 (B/E/V)G
Disc: Ductile Iron (A538 + ENP)

Code # 5121 (B/E/V)G
Disc: Aluminum Bronze (C95400)

Code # 5141 (B/E/V)G
Disc: 316 SS (A351 Gr. CF8M)
Stem: 316 SS (A351 Gr. CF8M)

Liner Options: NBR (Buna-N)/
EPDM/FKM (Viton)

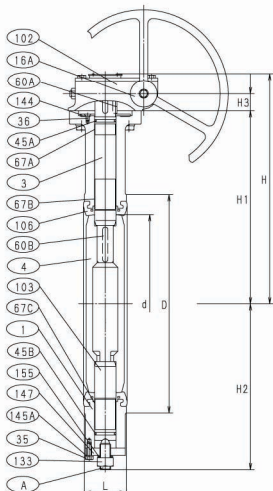


Code # 6111 (B/E/V)G
Disc: Ductile Iron (A538 + ENP)

Code # 6121 (B/E/V)G
Disc: Aluminum Bronze (C95400)

Code # 6141 (B/E/V)G
Disc: 316 SS (A351 Gr. CF8M)
Stem: 316 SS (A351 Gr. CF8M)

Liner Options: NBR (Buna-N)/
EPDM/FKM (Viton)



DIMENSIONS											
SIZE	d	H	H1	H2	H3	L	D	D1	L1	E	F
in. 14	13.15	17.13	14.17	12.17	1.26	3.06	16.02	12.40	11.02	2.20	2.83
mm 350	334	435	360	309	32	77.7	407	315	280	56	72
in. 16	15.16	19.29	16.34	13.43	1.26	4.00	18.35	13.78	11.02	2.20	2.83
mm 400	385	490	415	341	32	101.6	466	350	280	56	72
in. 18	17.09	21.46	17.27	14.37	1.77	4.50	20.55	15.75	12.99	2.87	3.39
mm 450	434	545	439	365	45	114.3	522	400	330	73	86
in. 20	18.98	23.39	19.21	16.30	1.77	5.00	22.64	18.90	12.99	2.87	3.39
mm 500	482	594	488	414	45	127	575	480	330	73	86
in. 24	22.80	25.98	21.10	18.23	1.97	6.06	26.77	18.90	14.17	3.15	3.94
mm 600	579	660	536	463	50	153.9	680	480	360	80	100

FLANGE BOLTING DATA/WEIGHTS											
SIZE	C	h	n	Wafer	Lug	Stud Bolt	Wafer	Lug			
				Length	Length	Length	Lbs.	Kgs.	Lbs.	Kgs.	
in. 14	18.75	1-8UNC	12	7.50	2.75	8.75	119	54	160	72	
mm 350	476.5	1-8UNC	12	182.63	69.85	222.25	-	-	-	-	
in. 16	21.25	1-8UNC	16	8.50	3.25	9.75	172	78	247	112	
mm 400	539.5	1-8UNC	16	209.68	82.55	247.65	-	-	-	-	
in. 18	22.75	1 1/8-7UNC	16	9.25	3.625	10.75	252	114	337	153	
mm 450	578	1 1/8-7UNC	16	232.31	92.075	273.05	-	-	-	-	
in. 20	25.00	1 1/8-7UNC	20	10.25	4.0	11.5	309	140	430	195	
mm 500	635	1 1/8-7UNC	20	251.92	101.6	292.10	-	-	-	-	
in. 24	29.50	1 1/4-7UNC	20	11.75	4.625	13.25	529	240	712	323	
mm 600	749.5	1 1/4-7UNC	20	291.35	117.475	336.55	-	-	-	-	

Note: KITZ lug style butterfly valves are rated for dead end service to full working pressure of the valve with the downstream flange removed. In dead end service exceeding 96 hours, a downstream flange is recommended.