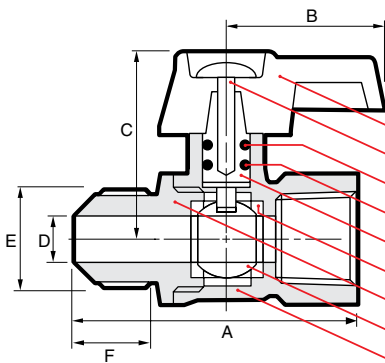


A Series Forged Brass CSA Gas Ball Valves

327



Forged 2 piece construction
ASME B1.20.1 NPT end x Flare
Smooth, quarter turn operation
May be used with water 400 PSI
Seals at high and low pressure -
ideal for testing installations
For use with natural, manufactured,
liquefied petroleum &
LP gas-air mixtures to
ANSI Z21.15, CSA 9.1 (1/2 PSIG)
ASME-B16.44,
CGA CR91-002 (2 & 5 PSIG)
-40° to 125°F



N A M E / M A T E R I A L

1.	Handle / Aluminum ASTM B85-A03840
2.	Screw / Steel ASTM 36 Zinc Plated
3.	Stem-O-Ring / NBR 70SH
4.	Stem-O-Ring / Viton
5.	Stem / Brass ASTM B124-C37700
6.	Seats / PTFE
7.	Body-Cap / Brass ASTM B283-C37700
8.	Ball / Chromium Plated Brass ASTM B124-37700
9.	Body / Brass ASTM B283-C37700

D I M E N S I O N S

size (in.)	1/2	3/4	1
A	57.7	61.0	70.8
mm/in	2.27	2.38	2.77
B	37.8	37.8	37.8
mm/in	1.47	1.47	1.47
C	32.3	32.3	36.9
mm/in	1.26	1.26	1.43
D	7.14	10.3	12.7
mm/in	0.28	0.41	0.50
E size	5/8 x 18UNF	3/4 x 16UNF	15/16 x 16UNF
F	15.7	19.0	22.4
mm/in	0.61	0.74	0.87