

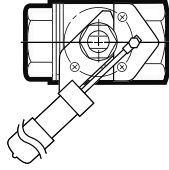


M. A. Stewart & Sons Ltd.  
VALVES AND FITTINGS

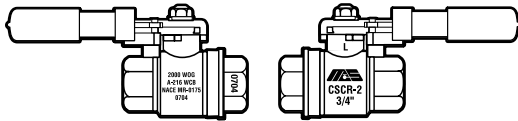
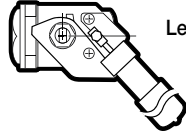
# C Series Carbon Steel, Deadman Spring Handle Ball Valves

## CSCR-2-DM

Lever Energized  
(Open)



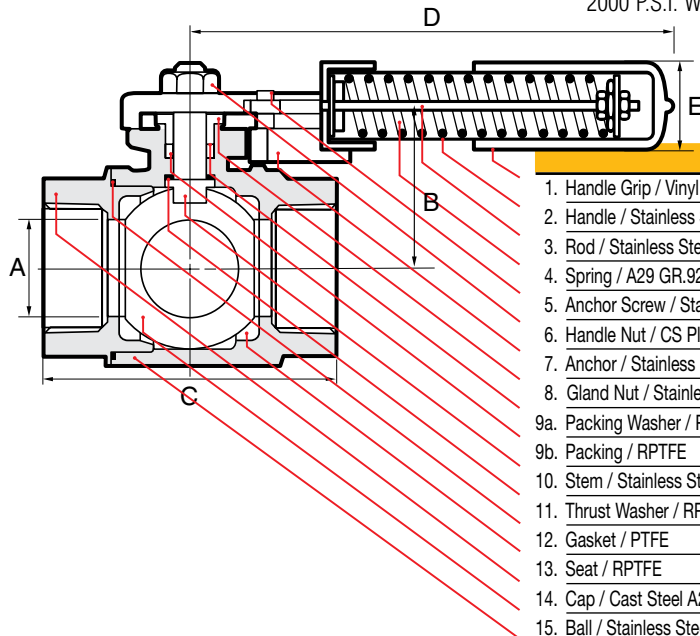
Lever De-Energized  
(Closed)



- Large port
- NPT ends to ANSI B1.20.1
- Two piece body
- Blowout-proof stem
- Adjustable packing gland
- Deadman handle
- Actuator mounting pad
- Comply to NACE  
MR-01-75-2002 & MR-01-03
- 2000 P.S.I. W.O.G.



4.3



### NAME / MATERIAL

1. Handle Grip / Vinyl
2. Handle / Stainless Steel A276 Type 304
3. Rod / Stainless Steel A276 Type 304
4. Spring / A29 GR.9260
5. Anchor Screw / Stainless Steel A276 Type 304
6. Handle Nut / CS Plated
7. Anchor / Stainless Steel A351 CF8M (316)
8. Gland Nut / Stainless Steel A276 Type 304
- 9a. Packing Washer / PEEK
- 9b. Packing / RPTFE
10. Stem / Stainless Steel A276 Type 316
11. Thrust Washer / RPTFE
12. Gasket / PTFE
13. Seat / RPTFE
14. Cap / Cast Steel A216 WCB
15. Ball / Stainless Steel A351 CF8M (316)
16. Body / Cast Steel A216 WCB

### D I M E N S I O N S

size	8	10	15	20	25	32	40	50
mm/in	1/4 3/8	3/8 1/2	1/2 3/4	3/4 1	1 1 1/4	1 1/4 1 1/2	1 1/2 2	2 2 1/2
A	11.0	12.5	12.5	17.5	20.6	25.0	31.8	38.0
mm/in	0.433	0.492	0.492	0.689	0.866	0.964	1.252	1.496
B	29.3	29.3	29.3	35.9	38.4	48.6	51.4	59.5
mm/in	1.154	1.154	1.154	1.415	1.514	1.913	2.023	2.341
C	58.5	58.5	61.5	79.5	87.5	102	111	136
mm/in	2.303	2.303	2.421	3.130	3.484	4.016	4.370	5.394
D	180.5	180.5	180.5	232.5	232.5	290.0	290.0	313.0
mm/in	7.106	7.106	7.106	9.154	9.154	11.417	11.417	12.323
E	22.0	22.0	22.0	22.0	22.0	22.0	22.0	32.0
mm/in	0.866	0.866	0.866	0.866	0.866	0.866	0.866	1.280
CV	8	10	15	30	40	48	80	108
weights	0.690	0.672	0.671	0.920	1.094	1.705	2.354	2.974
kg/lb	1.521	1.481	1.479	2.028	2.411	3.759	5.190	6.556

### P R E S S U R E T E M P E R A T U R E R A T I N G

