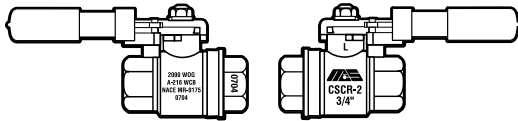
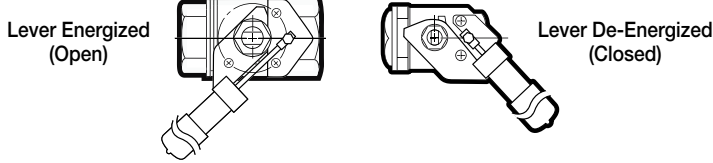




M. A. Stewart & Sons Ltd.
VALVES AND FITTINGS

C Series Carbon Steel, Deadman Spring Handle Ball Valves

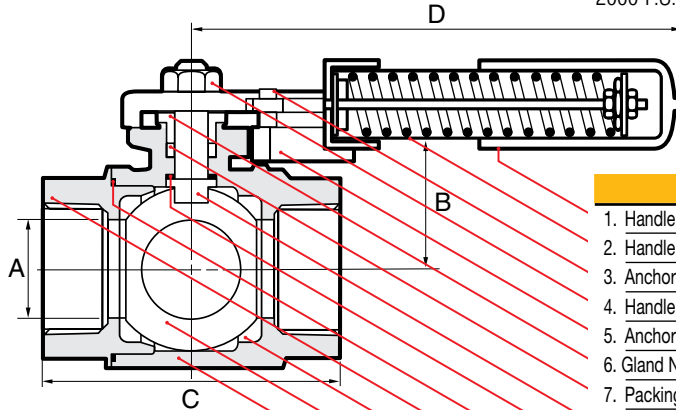
CSCR-2-DM



- Large port
- NPT ends to ANSI B1.20.1
- Two piece body
- Blowout-proof stem
- Adjustable packing gland
- Deadman handle
- Actuator mounting pad
- NACE MR-01-75 compliant
- 2000 P.S.I. W.O.G.



4.3



NAME / MATERIAL	
1.	Handle Grip / Vinyl
2.	Handle / A276 Type 304
3.	Anchor Screw / A276 Type 304
4.	Handle Nut / A276 Type 304
5.	Anchor / A351 grade CF8M
6.	Gland Nut / C.S. A108
7.	Packing / PTFE
8.	Stem / A276 Type 316
9.	Thrust Washer / Reinforced Teflon 15% GFT
10.	Gasket / PTFE
11.	Cap / A216 grade WCB
12.	Seat / Reinforced Teflon 15% GFT
13.	Ball / A351 grade CF8M
14.	Body / A216 grade WCB

D I M E N S I O N S								
size	8	10	15	20	25	32	40	50
mm/in	1/4	3/8	1/2	3/4	1	1 1/4	1 1/2	2
A	11.0	12.5	12.5	17.5	20.6	25.0	31.8	38.0
mm/in	0.433	0.492	0.492	0.689	0.866	0.964	1.252	1.496
B	85.5	85.5	85.5	108	108	170.5	170.5	170.5
mm/in	3.366	3.366	3.366	4.252	4.252	6.713	6.713	6.713
C	58.5	58.5	61.5	79.5	88.5	102	111	137
mm/in	2.303	2.303	2.421	3.130	3.484	4.016	4.370	5.394
D	180.5	180.5	180.5	181.0	184.0	182.0	230.0	230.0
mm/in	7.106	7.106	7.106	7.126	7.244	7.165	9.055	9.055
CV	8	10	15	30	40	48	80	108
weights	0.690	0.672	0.671	0.920	1.094	1.705	2.354	2.974
kg/lb	1.521	1.481	1.479	2.028	2.411	3.759	5.190	6.556

