

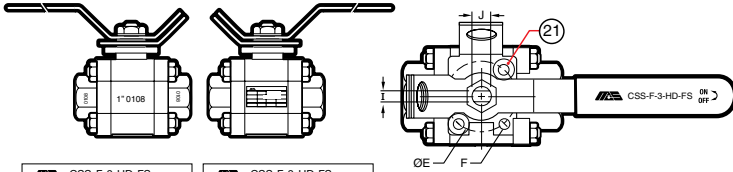
# C Series Carbon Steel API 607 Ball Valves

## CSS-F-3-HD-FS



Three piece body / Full port  
NPT threads to ANSI B1.20.1  
Anti-static design  
Blowout proof stem  
Adjustable live loading packing nut  
Positive lock-out device  
ISO 5211 mounting pad  
NACE MR-01-75 compliant  
Fire-safe certified to API-607 5<sup>th</sup> edition  
**250 PSIG steam rated**  
3000 P.S.I. W.O.G. (1500 class) 1/4" to 1"  
2000 P.S.I. W.O.G. (900 class) 1-1/4" to 2"  
1000 P.S.I. W.O.G. (600 class) 2-1/2" to 3"

4.8



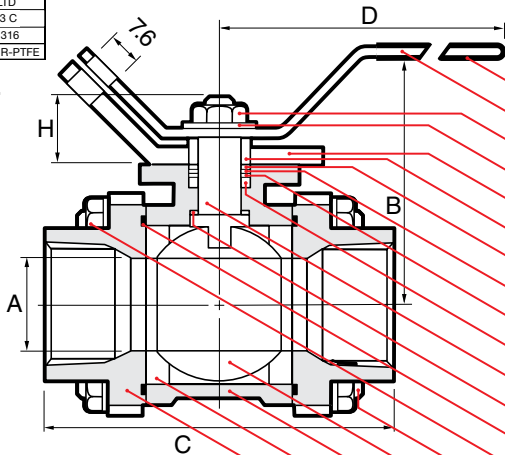
CSS-F-3-HD-FS				CSS-F-3-HD-FS			
WOG	3000	B16.34LTD		WOG	2000	B16.34LTD	
ISO-FT	1500 @ 200 F / 93 C			ISO-FT	900 @ 200 F / 93 C		
BODY	WCB	TRIM	316	BODY	WCB	TRIM	316
SEALS	GRF	SEAT	R-PTFE	SEALS	GRF	SEAT	R-PTFE

NACE  
SIZE 1/4" - 1"

NACE  
SIZE 1-1/4" - 2"

CSS-F-3-HD-FS			
WOG	1000	B16.34LTD	
ISO-FT	700 @ 200 F / 93 C		
BODY	WCB	TRIM	316
SEALS	GRF	SEAT	R-PTFE

NACE  
SIZE 2-1/2" - 3"



• Socketweld ends available

### NAME / MATERIAL

1. Handle Grip / Vinyl
2. Handle / A276 Type 304
3. Handle Nut / A276 Type 304
4. Handle Washer / A276 Type 304
5. Lock-Out Plate / A276 Type 304
6. Gland Nut / A276 Type 304
7. Lock Washer / A276 Type 304
8. Belleville Washer / Stainless Steel 301
9. Gland / A276 Type 304
10. Packing / Graphite
11. Stem / A276 Type 316
12. Thrust Washer / R-PTFE (TFM4215)
13. Gasket / Graphite + Stainless Steel 304
14. Hex Nut / A194 grade 2HM
15. Stud Bolt / A193 grade B7M
16. Ball / A351 grade CF8M
17. Body / A216 grade WCB
18. Seat / R-PTFE (TFM4215)
19. Cap / A216 grade WCB
20. Spring & Pin / A276 Type 304
21. Stopper / C.S. Plated

### D I M E N S I O N S

size	8	10	15	20	25	32	40	50	65	80
mm/in	3/8	1/2	5/8	3/4	1	1 1/4	1 1/2	2	2 1/2	3
A	10.00	10.00	15.00	20.00	25.00	32.00	38.00	50.00	65.00	78.00
mm/in	0.37	0.37	0.50	0.75	1.00	1.25	1.50	2.00	2.50	3.00
B	65.80	65.80	68.50	75.00	79.00	88.50	94.50	107.00	129.50	139.50
mm/in	2.59	2.59	2.70	2.95	3.11	3.48	3.72	4.21	5.10	5.49
C	64.5	64.5	68.5	80.5	91.5	100.5	117.0	133.5	157.8	178.0
mm/in	2.54	2.54	2.70	3.17	3.60	3.96	4.61	5.26	6.21	7.01
D	120.00	120.00	120.00	139.00	139.00	193.00	193.00	193.00	244.00	244.00
mm/in	4.72	4.72	4.72	5.47	5.47	7.60	7.60	7.60	9.61	9.61
E	36.00	36.00	36.00	42.00	42.00	50.00	70.00	70.00	102.00	102.00
mm/in	1.417	1.417	1.417	1.654	1.654	1.969	2.756	2.756	4.016	4.016
F	M6	M6	M6	M6	M6	M8	M8	M8	M8	M8
ISO Flg	F03	F03	F03	F04	F04	F05	F07	F07	F10	F10
H	15.50	15.50	15.50	18.50	18.50	23.50	23.50	27.00	30.00	30.00
mm/in	0.61	0.61	0.610	0.73	0.73	0.93	0.93	1.06	1.18	1.18
I	5.50	5.50	5.50	6.50	6.50	8.00	8.00	10.00	12.00	12.00
mm/in	0.22	0.22	0.22	0.26	0.26	0.32	0.32	0.39	0.47	0.47
J	8.10	8.10	8.1	9.6	9.6	12.8	12.8	16.1	19.25	19.25
mm/in	0.32	0.32	0.32	0.38	0.38	0.50	0.50	0.63	0.76	0.76
CV	11	11	26	50	68	120	170	360	510	900
Weights	0.594	0.594	0.700	1.200	1.660	2.470	3.870	6.800	10.250	15.580
kg/lb	1.307	1.307	1.540	2.640	3.652	5.434	8.514	14.960	22.550	34.276

Valves comply to B16.34 Class 600, 900 & 1500 wall thickness.

### PRESSURE TEMPERATURE RATING

