

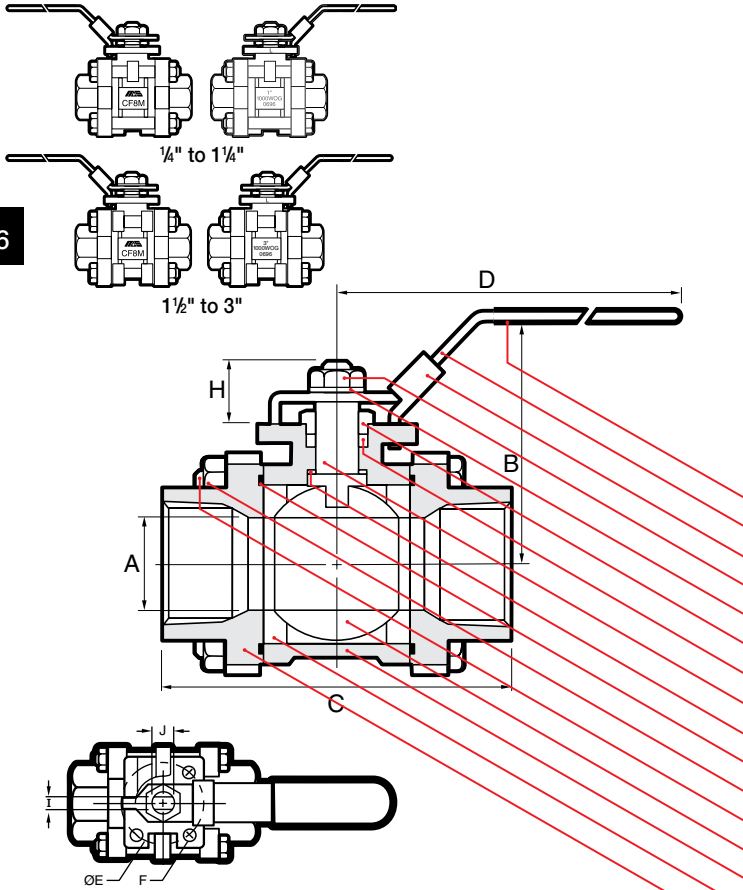
# C Series Carbon Steel 3 Piece Ball Valves

## CSS-F-3N



Full port  
NPT threads to ANSI B1.20.1  
Three piece body  
Blowout-proof stem  
Adjustable packing nut  
Locking lever handle  
ISO 5211 mounting pad  
Floating ball  
Comply to NACE MR-01-75-2002  
& MR-01-03  
2000 PSI, W.O.G. 1/4" to 1"  
1500 PSI, W.O.G. 1 1/4" to 3"

4.6



NAME / MATERIAL	
1.	Handle Grip/ Vinyl
2.	Handle / Stainless Steel A276 Type 304
3.	Locking Device / Stainless Steel A276 Type 304
4.	Handle Nut / Stainless Steel A276 Type 304
5.	Stem Washer / Stainless Steel A276 Type 304
6.	Gland Nut / Carbon Steel A108
7.	Packing / PTFE
8.	Stem / Stainless Steel A276 Type 316
9.	Thrust Washer / Reinforced Teflon 15% GFT
10.	Gasket / PTFE
11.	Hex Nut / Carbon Steel A194 Grade 2HM
12.	Bolt / Carbon Steel A193 Grade B7M
13.	Ball / Stainless Steel A351-CF8M (316)
14.	Body / Cast Steel A216 - WCB
15.	Seat / Reinforced Teflon 15% GFT
16.	Cap / Cast Steel A216 - WCB

### D I M E N S I O N S

size	8	10	15	20	25	32	40	50	65	80
mm/in	1/4	3/8	1/2	3/4	1	1 1/4	1 1/2	2	2 1/2	3
A	9.50	9.50	15.00	20.00	25.00	32.00	38.00	50.50	65.00	78.00
mm/in	0.374	0.374	0.591	0.787	0.984	1.260	1.496	1.988	2.559	3.071
B	67.00	67.00	68.50	75.00	79.00	88.50	94.50	107.00	129.50	139.50
mm/in	2.638	2.638	2.697	2.953	3.110	3.484	3.720	4.213	5.098	5.492
C	60.00	60.00	70.00	76.00	92.00	105.0	120.0	138.0	170.5	191.0
mm/in	2.362	2.362	2.756	2.922	3.622	4.134	4.724	5.433	6.713	7.520
D	120.00	120.00	120.00	139.00	139.00	193.00	193.00	193.00	244.00	244.00
mm/in	4.724	4.724	4.724	5.472	5.472	7.598	7.598	7.598	9.606	9.606
E	36.00	36.00	36.00	42.00	42.00	50.00	70.00	70.00	102.00	102.00
mm/in	1.417	1.417	1.417	1.653	1.653	1.968	2.756	2.756	4.016	4.016
F	M6	M6	M6	M6	M6	M8	M8	M8	M8	M8
ISO Flg	F03	F03	F03	F04	F04	F05	F07	F07	F10	F10
H	11.50	12.50	14.50	18.00	18.00	23.50	22.50	25.00	32.50	31.00
mm/in	0.453	0.492	0.571	0.709	0.709	0.925	0.886	0.984	1.280	1.220
I	5.50	5.50	5.50	6.50	6.50	8.00	8.00	10.00	12.00	12.00
mm/in	0.217	0.217	0.217	0.256	0.256	0.315	0.315	0.394	0.472	0.472
J	7.70	7.70	7.70	9.30	9.30	12.50	12.50	15.60	18.80	18.80
mm/in	0.303	0.303	0.303	0.367	0.367	0.492	0.492	0.614	0.740	0.740
CV	10	10	26	50	68	120	170	360	510	900
Weights	0.434	0.420	0.620	0.910	1.190	1.930	2.780	4.750	8.630	13.460
kg/lb	0.955	0.924	1.364	2.002	2.618	4.246	6.116	10.450	18.986	29.612

