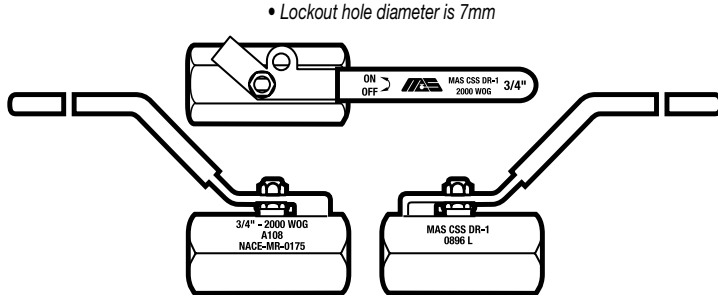
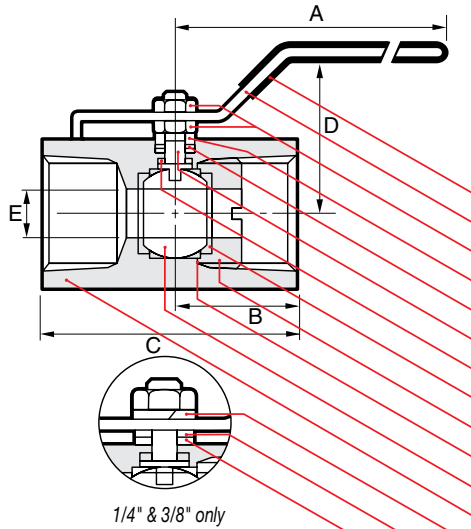


# C Series Carbon Steel Ball Valves

## CSSDR-1



• Lockout hole diameter is 7mm



1/4" & 3/8" only

• Oval handles optionally available

- Reduced port
- NPT ends to ANSI B1.20.1
- One piece body
- Blowout-proof stem
- 2000 p.s.i., W.O.G. 1/4" to 2"
- Valves comply to NACE MR-01-75



4.1

### NAME / MATERIAL

1. Handle Grip / Vinyl
2. Handle / Carbon Steel Plated
3. Handle Nut / Carbon Steel Plated
4. Packing Bushing / Stainless Steel 304 ASTM A276
5. Packing / PTFE
6. Stem / Stainless Steel 316 ASTM A276
7. Thrust Washer / Reinforced Teflon 15% GFT
8. Seat / Reinforced Teflon 15% GFT
9. Seat Retainer / Carbon Steel A108 GR 1020
10. Gasket / PTFE
11. Ball / Stainless Steel A351 Grade CF8M
12. Body / Carbon Steel A108 GR.1020
13. Stem Washer / Stainless Steel 304 A276
14. Belleville Washer / Stainless Steel 301
15. Spring Washer / Stainless Steel 304 A276

D I M E N S I O N S								
size	8	10	15	20	25	32	40	50
mm/in	1/4	3/8	1/2	3/4	1	1 1/4	1 1/2	2
A	66.30	80.00	109.47	109.47	122.00	147.50	147.50	154.00
mm/in	2.61	3.15	4.31	4.31	4.80	5.81	5.81	6.06
B	23.90	26.05	32.95	37.25	44.50	48.60	52.55	57.70
mm/in	0.94	1.03	1.30	1.47	1.75	1.91	2.07	2.27
C	43.10	47.35	61.72	69.85	85.73	93.67	101.60	114.30
mm/in	1.70	1.86	2.43	2.75	3.38	3.69	4.00	4.50
D	29.1	33.35	54.41	59.15	62.15	68.00	69.00	81.90
mm/in	1.15	1.31	2.14	2.33	2.45	2.68	2.72	3.22
E	4.60	6.80	9.20	12.50	16.00	20.00	24.70	32.00
mm/in	0.18	0.27	0.36	0.49	0.63	0.79	0.97	1.26
CV	1.5	3.5	5.7	10	16	25	40	62
weights	0.078	0.120	0.315	0.460	0.690	1.360	1.590	2.700
kg/lb	0.172	0.264	0.693	1.012	1.518	2.992	3.498	5.940

