

F Series Flanged Carbon Steel Ball Valves

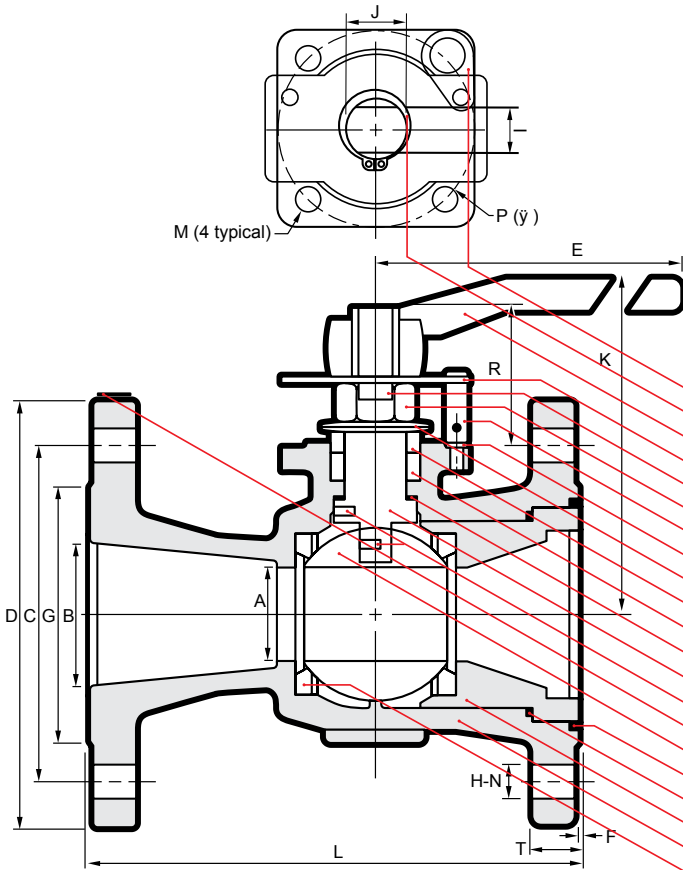
F-150-CS-R-SS-N



Reduced port, One piece body
ANSI B16.34 Class 150
Blowout-proof stem
ISO 5211 Mounting pad
Floating Ball, Anti-static device
Fire-safe design
Valves comply to NACE MR-01-75

Model F-150-LC-R-SS-N (LCC body) is available

3.2



NAME / MATERIAL

Model Code; CS	LC	*FS
1. Lock Plate / Stainless Steel 304 - A276		
2. Retaining Ring / Carbon Steel		
3. Handle / Ductile Iron		
4. Stopper Plate / Stainless Steel 304 - A276		
5. Lock Washer / Stainless Steel 304 - A276		
6. Gland Nut / Carbon Steel		
7. Stopper Pin / Stainless Steel 304 - A276		
8. Lock Washer / Stainless Steel 304 - A276		
9. Belleville Washer / Stainless Steel 301		
10. Gland / Stainless Steel 304 - A276		
11. Packing / PTFE		(Graphite)
12. Thrust Washer / Reinforced Teflon 15% GFT		
13. Stem / Stainless Steel 316 - A276		
14. Anti-Static Device / Stainless Steel 304 - A276		
15. Identification Plate / Stainless Steel 304 - A276		
16. Ball / A351 - CF8M		
17. N/A		(Body Seal / Graphite)
18. Body Seal / PTFE (TFM-1600)		
19. Body Insert / A216-WCB	(A352 LCC)	
20. Body / A216-WCB	(A352 LCC)	
21. Seat / PTFE (TFM-1600)		

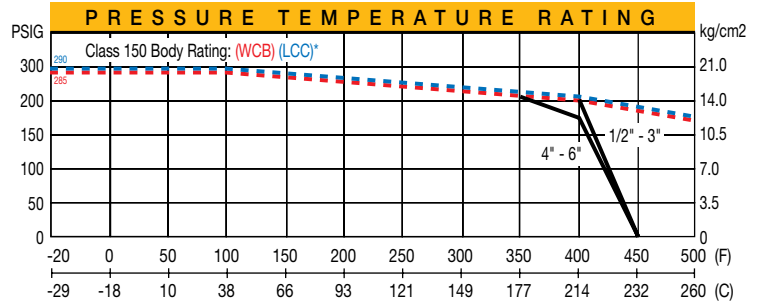
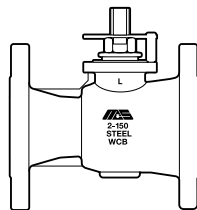
*Fire Safe Certified to API-607

FIG.	F-150-CS-R-SS-FS-N	CLASS	150	SIZE	2	B16.34
SEAT	PTFE	BODY	WCB	TRIM	316	NACE
RATING	285 PSIG AT 100°F/200 PSIG AT 400° MAX					

CS - IDENTIFICATION PLATE

FIG.	F-150-LC-R-SS-N	CLASS	150	SIZE	2	B16.34
SEAT	PTFE	BODY	LCC	TRIM	316	NACE
RATING	290 PSIG AT 100°F/200 PSIG AT 400° MAX					

LC - IDENTIFICATION PLATE



size	D		I		M		E		N		S		I		O		N		ISO 5211 flange type	Weight (kg/lb)
	A	B	C	D	E	F	G	H	I	J	K	L	M	N	P	T	R			
2"	38	50	120.5	152	230	1.6	92	19	14	20	125	178	5/16" UNC	4	70	15.9	49	F07	8.00	
	1.50	1.97	4.75	5.98	9.06	0.06	3.62	0.75	0.55	0.79	4.92	7.00			2.76	0.63	1.93		17.60	
3"	58	76	152.5	190	400	1.6	127	19	17	25	168	203	3/8" UNC	4	70	19.1	59	F07	15.70	
	2.28	3.00	6.00	7.48	15.75	0.06	5.00	0.75	0.67	0.98	6.61	8.00			2.76	0.75	2.32		34.54	
4"	76	102	190.5	229	400	1.6	157	19	17	25	183	229	3/8" UNC	8	70	23.9	59	F07	24.60	
	3.00	4.02	7.50	9.02	15.75	0.06	6.18	0.75	0.67	0.98	7.20	9.02			2.76	0.94	2.32		54.12	
6"	114	152	241.5	279	750	1.6	216	22	23	34	245	267	1/2" UNC	8	125	25.4	73	F12	49.50	
	4.49	5.98	9.50	10.98	29.53	0.06	8.50	0.88	0.91	1.34	9.65	10.51			4.92	1.00	2.87		108.90	