

F Series Flanged Carbon Steel Ball Valves

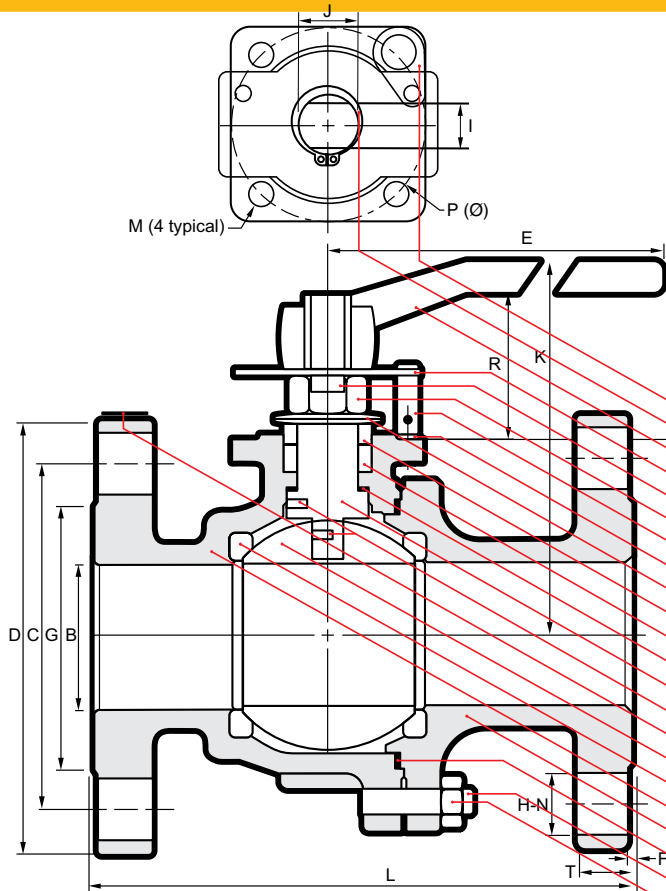
F-300-CS-F-SS-N

Full port, Two piece body
ANSI B16.34 Class 300
Blowout-proof stem
ISO 5211 Mounting pad
Floating Ball, Anti-static device
Fire-safe design
Comply to NACE MR-01-75-2002
& MR-01-03



3.5

Model F-300-LC-F-SS-N (LCC body) is available



NAME / MATERIAL		
Model Code; CS	LC	*FS
1. Lock Plate / Stainless Steel A276 Type 304		
2. Retaining Ring / Carbon Steel		
3. Handle / Ductile Iron		
4. Stopper Plate / Stainless Steel A276 Type 304		
5. Lock Washer / Stainless Steel A276 Type 304		
6. Gland Nut / Carbon Steel		
7. Stopper Pin / Stainless Steel A276 Type 304		
8. Lock Washer / Stainless Steel A276 Type 304		
9. Belleville Washer / Stainless Steel 301		
10. Gland / Stainless Steel A276 Type 304		
11. Packing / PTFE		(Graphite)
12. Thrust Washer / RPTFE 15% GFT		
13. Stem / Stainless Steel A276 Type 316		
14. Anti-Static Device / Stainless Steel A276 Type 304		
15. Identification Plate / Stainless Steel A276 Type 304		
16. Ball / Stainless Steel A351 - CF8M (316)		
17. Seat / PTFE (TFM-1600)		
18. Body / Cast Steel A216-WCB	(LC: A352 LCC)	
19. Cap / Cast Steel A216-WCB	(LC: A352 LCC)	
20. Body Seal / PTFE		(Graphite)
21. Bolt Nut / A194 Grade 2HM	(LC: A194 Grade 7M)	
22. Stud Bolt / A193 Grade B7M	(LC: A320 Grade L7M)	

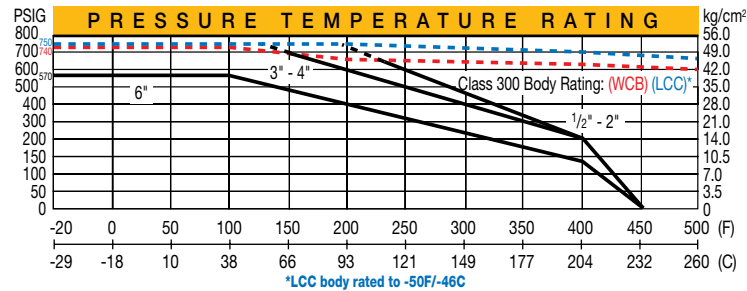
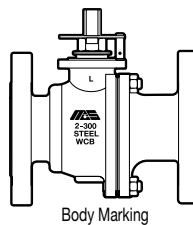
*Fire Safe Certified to API-607

FIG.	F-300-CS-F-SS-N	CLASS	300	SIZE	2	B16.34
SEAT	PTFE	BODY / WCB		TRIM	316	NACE
RATING	740 PSIG AT 100°F/200 PSIG AT 400° MAX					

CS - IDENTIFICATION PLATE

FIG.	F-300-LC-F-SS-N	CLASS	300	SIZE	2	B16.34
SEAT	PTFE	BODY / LCC		TRIM	316	NACE
RATING	750 PSIG AT 100°F/200 PSIG AT 400° MAX					

LC - IDENTIFICATION PLATE



	D	B	C	I	D	E	M	F	G	H	I	N	J	S	L	I	O	N	S	
size (mm/in)	15	66.5	95	130	1.6	35	16	8	11	83	140	1/4" UNC	4	36	14.2	27	F03	kg/lb		
1/2	0.59	2.62	3.75	5.12	0.06	1.38	0.62	0.31	0.43	3.27	5.50	1/4" UNC	4	1.42	0.56	1.06	F03	2.20		
3/4	19	82.5	117	130	1.6	43	19	8	11	86	152.5	1/4" UNC	4	36	15.8	27	F03	3.29		
	0.75	3.25	4.62	5.12	0.06	1.69	0.75	0.31	0.43	3.39	6.00	1/4" UNC	4	1.42	0.62	1.06	F03	7.23		
1"	24	89.0	124	160	1.6	51	19	10	14	104	165	1/4" UNC	4	50	17.5	35.5	F05	4.76		
	0.95	3.50	4.88	6.30	0.06	2.00	0.75	0.39	0.55	4.09	6.50	1/4" UNC	4	1.97	0.69	1.40	F05	10.47		
1 1/2"	38	114.5	156	230	1.6	73	22	14	20	125	190.5	5/16" UNC	4	70	20.6	49	F07	9.14		
	1.50	4.50	6.14	9.06	0.06	2.88	0.88	0.55	0.79	4.92	7.50	5/16" UNC	4	2.76	0.81	1.93	F07	20.10		
2"	50	127.0	165	230	1.6	92	19	14	20	134.5	216	5/16" UNC	8	70	22.3	49	F07	12.80		
	1.97	5.00	6.50	9.06	0.06	3.62	0.75	0.55	0.79	5.30	8.50	5/16" UNC	8	2.76	0.88	1.93	F07	28.16		
2 1/2"	65	149.4	190.5	400	1.6	104.6	22	17	25	170.5	241.3	3/8" UNC	8	102	25.4	61	F10	22.73		
	2.56	5.88	7.50	15.75	0.06	4.12	0.88	0.67	0.98	6.71	9.50	3/8" UNC	8	4.02	1.00	2.40	F10	50.00		
3"	76	168	210	400	1.6	127	22	17	25	181.5	283	3/8" UNC	8	102	28.5	61	F10	29.60		
	3.00	6.62	8.27	15.75	0.06	5.00	0.88	0.67	0.98	7.15	11.14	3/8" UNC	8	4.02	1.12	2.40	F10	65.12		
4"	100	200	254	750	1.6	157	22	23	34	205.5	305	1/2" UNC	8	125	31.8	73	F12	50.40		
	3.94	7.87	10.00	29.53	0.06	6.18	0.88	0.91	1.34	8.09	12.00	1/2" UNC	8	4.92	1.25	2.87	F12	110.88		
6"	150	270	318	1000	1.6	216	22	27	40	289.5	403	5/8" UNC	12	140	36.6	90	F14	107.3		
	5.91	10.63	12.52	39.37	0.06	8.50	0.88	1.06	1.57	11.40	15.87	5/8" UNC	12	5.51	1.44	3.54	F14	236.06		