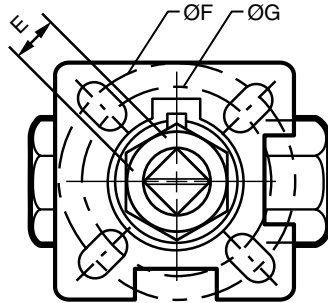




M. A. Stewart & Sons Ltd.
VALVES AND FITTINGS

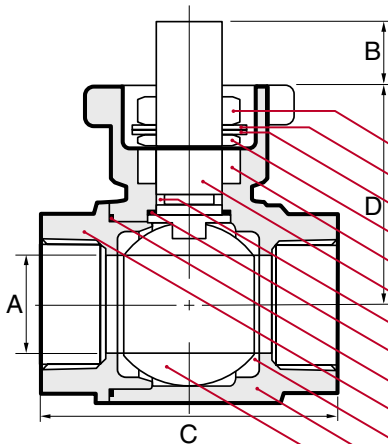
G Series Investment Cast Stainless Steel Ball Valves

G2-ED



- Full port
- NPT threads to ANSI B1.20.1
- Two piece body
- Blowout-proof stem
- ISO 5211 Direct Mounting Pad
- Compatible with Max-Air/MAS Adjustable Live-loaded Packing
- Anti-static Device
- Floating Ball
- 1000 PSI, WOG 1/2" to 2"

4.4



NAME / MATERIAL	
1.	Packing Nut / Stainless Steel 304 - A276
2.	Lock Washer / Stainless Steel 304 - A276
3.	Belleville Washer / Stainless Steel 304 - A276
4.	Packing Gland / Stainless Steel 304 - A 276
5.	Packing / PTFE
6.	Stem / Stainless Steel 316 / A276
7.	Stem Seal / VITON O-ring
8.	Thrust Washer / RPTFE (MG1241)
9.	Gasket / PTFE
10.	Cap / Stainless Steel 316 - CF8M
11.	Seat / Reinforced Teflon 15% GFT
12.	Body / Stainless Steel 316 - CF8M
13.	Ball / SS 316 - A 351 - CF8M
14.	Spring & Pin Anti-static Device / Stainless Steel 304 - A 276

- Markings to MSS-SP25
- Material test results & inspection certificates available upon request.
- CRN numbers available upon request

D I M E N S I O N S

size	15	20	25	32	40	50
mm/in	1/2	3/4	1	1 1/4	1 1/2	2
A	15.0	20.0	24.0	31.8	38.1	50.0
mm/in	0.590	0.787	0.945	1.252	1.500	1.968
B	10.0	10.0	11.0	11.0	17.0	17.0
mm/in	0.394	0.394	0.433	0.433	0.669	0.669
C	58.2	66.0	77.7	90.4	102.4	119.0
mm/in	2.291	2.598	3.059	3.559	4.031	4.685
D	36.3	39.5	50.5	56.0	70.6	79.0
mm/in	1.429	1.555	1.988	2.205	2.779	3.110
E	9.0	9.0	11.0	11.0	14.0	14.0
mm/in	0.354	0.354	0.433	0.433	0.551	0.551
F	42.0	42.0	50.0	50.0	70.0	70.0
mm/in	1.653	1.653	1.968	1.968	2.756	2.756
G	36.0	36.0	42.0	42.0	50.00	50.00
mm/in	1.417	1.417	1.653	1.653	1.968	1.968
CV	15.0	45.0	65.0	125.0	175.0	380.0
weights	0.206	0.396	0.703	1.040	1.690	2.700
kg/lb	0.458	0.876	1.547	2.288	3.718	5.940

