

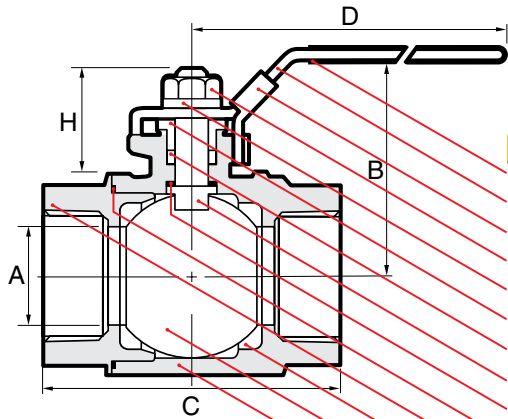
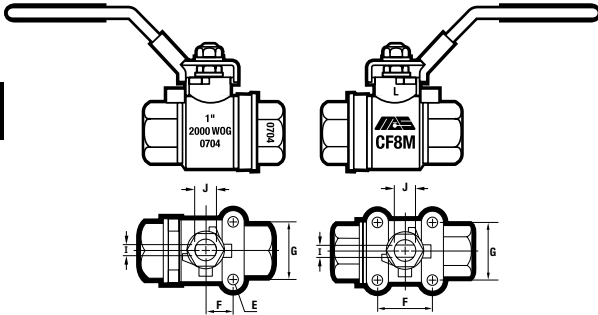
G Series Investment Cast, 250 Steam Rated Stainless Steel Ball Valves

G-2-250



- Two piece body
- Full port
- NPT ends to ANSI B1.20.1
- 250 PSIG steam trim**
- Blowout proof stem
- Adjustable packing nut
- Locking lever handle
- Actuator mounting pad
- 2000 PSI, WOG 1/4" to 2"
- 1500 PSI, WOG 2 1/2" to 3"

2.6



NAME / MATERIAL

1. Handle Grip / Vinyl
2. Handle / Stainless Steel A276 Type 304
3. Locking Device / Stainless Steel A276 Type 304
4. Handle Nut / Stainless Steel A276 Type 304
5. Stem Washer / Stainless Steel A276 Type 304
6. Gland Nut / Stainless Steel A276 Type 304
7. Packing / R-PTFE (TFM-4215)
8. Stem / Stainless Steel A276 Type 316
9. Thrust Washer / R-PTFE (TFM-4215)
10. Gasket / R-PTFE (TFM-4215)
11. Cap / A 351 CF8M (316)
12. Seat / R-PTFE (TFM-4215)
13. Ball / A 351 CF8M (316)
14. Body / A 351 CF8M (316)

- Available with oval handle for sizes 1/4" - 2"
- 1/4" and 3/8" have reserve holes cast in, 1/2" to 2" mounting pads are tapped, 2 1/2" and 3" are dimpled.

D I M E N S I O N S

size	8	10	15	20	25	32	40	50	65	80
mm/in	3/4	1	1 1/2	2	2 1/2	3	3 1/2	4	5	6
A	9.60	9.60	12.70	20.00	25.00	32.00	38.00	50.80	65.00	78.00
mm/in	0.374	0.374	0.500	0.787	0.984	1.260	1.496	2.000	2.559	3.071
B	54.00	54.00	57.00	65.50	69.50	82.50	88.00	105.00	138.00	148.00
mm/in	2.130	2.130	2.240	2.580	2.740	3.250	3.460	4.130	5.430	5.830
C	57.60	57.60	62.00	72.50	86.00	94.00	116.00	134.00	164.00	180.00
mm/in	2.264	2.264	2.441	2.854	3.386	3.700	4.567	5.276	6.457	7.086
D	103.50	103.50	103.50	125.00	125.00	158.00	158.00	181.00	252.00	252.00
mm/in	4.075	4.075	4.075	4.921	4.921	6.220	6.220	7.126	9.921	9.921
E	*	*	M6	M6	M6	M8	M8	M8	†	†
F	12.73	12.73	12.73	14.85	14.85	17.68	24.75	24.75	72.10	72.10
mm/in	0.501	0.501	0.501	0.585	0.585	0.696	0.974	0.974	2.839	2.839
G	25.45	25.45	25.45	29.70	29.70	35.35	49.50	49.50	72.10	72.10
mm/in	1.002	1.002	1.002	1.169	1.169	1.392	1.949	1.949	2.839	2.839
H	21.50	21.50	19.00	26.50	26.50	34.00	34.00	39.00	45.00	42.00
mm/in	0.85	0.85	0.75	1.04	1.04	1.34	1.34	1.54	1.77	1.65
I	5.50	5.50	5.50	6.50	6.50	8.00	8.00	10.00	12.00	12.00
mm/in	0.217	0.217	0.217	0.256	0.256	0.315	0.315	0.394	0.472	0.472
J	7.70	7.70	7.70	9.30	9.30	12.50	12.50	15.60	18.80	18.80
mm/in	0.303	0.303	0.303	0.367	0.367	0.492	0.492	0.614	0.740	0.740
CV	7.0	7.0	15.0	45.0	65.0	125.0	175.0	380.0	500.0	900.0
weights	0.260	0.250	0.313	0.555	0.795	1.330	2.013	3.550	6.250	9.370
kg/lb	0.572	0.550	0.689	1.221	1.749	2.926	4.429	7.810	13.750	20.614

* Untapped
† dimpled at drilling location

