

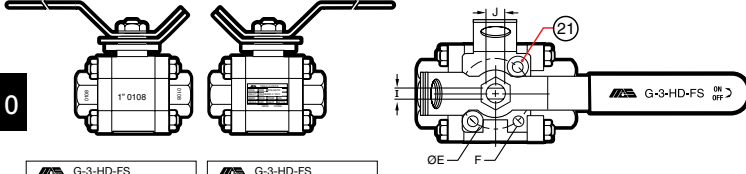
G Series Investment Cast Stainless Steel API 607 Ball Valves

G-3-HD-FS



Full port / Floating ball
NPT threads to ANSI B1.20.1
3 piece body with blowout-proof stem
Encapsulated bolt design
Adjustable packing nut
250 PSIG steam rated
NACE MR-01-03 compliant
Fire-safe certified to API 607
Anti-static design
Positive Lock-out device
ISO 5211 mounting pad
3000 PSI, WOG from 1/4" to 1"
2000 PSI, WOG from 1 1/4" to 2"
1000 PSI, WOG from 2 1/2" to 3"

2.10

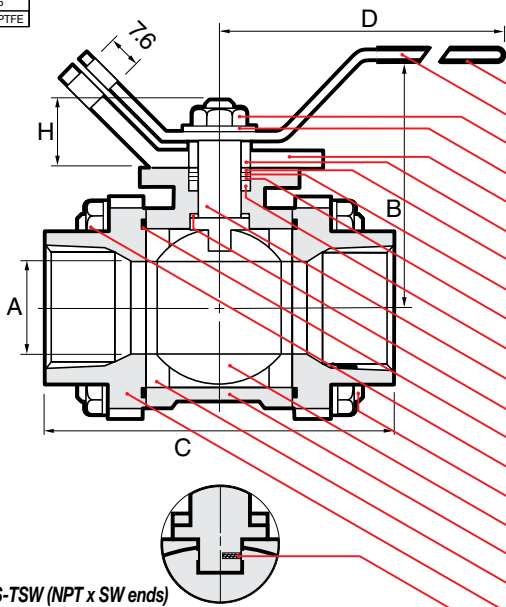


G-3-HD-FS			G-3-HD-FS		
WOG	3000	B16.34LTD	WOG	2000	B16.34LTD
ISO-FT	250 @ 406 F / 207 C		ISO-FT	250 @ 406 F / 207 C	
BODY	CF8M	TRIM 316	BODY	CF8M	TRIM 316
SEALS	GRF	SEAT R-PTFE	SEALS	GRF	SEAT R-PTFE

NACE SIZE 1/4" - 1" NACE SIZE 1-1/4" - 2"

G-3-HD-FS		
WOG	1000	B16.34LTD
ISO-FT	250 @ 406 F / 207 C	
BODY	CF8M	TRIM 316
SEALS	GRF	SEAT R-PTFE

NACE SIZE 2-1/2" - 3"



NAME / MATERIAL

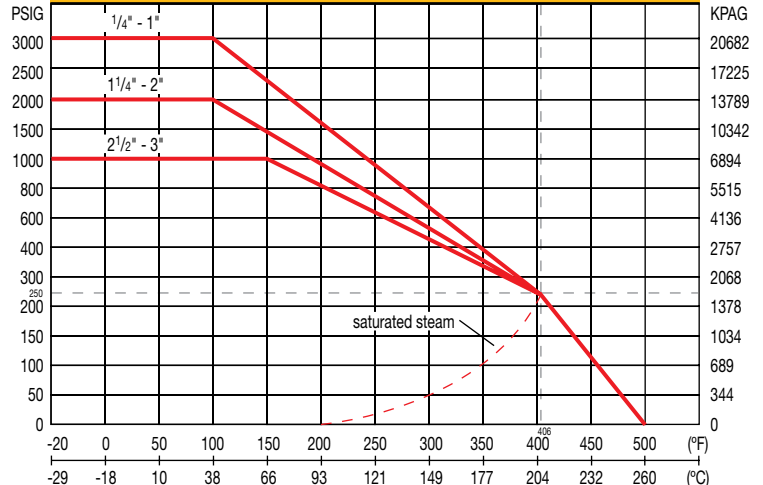
1. Handle Grip/ Vinyl
2. Handle / Stainless Steel A276 Type 304
3. Handle Nut / Stainless Steel A276 Type 304
4. Handle Washer / Stainless Steel A276 Type 304
5. Lock-Out Plate / Stainless Steel A276 Type 304
6. Gland Nut / Stainless Steel A276 Type 304
7. Lock Washer / Stainless Steel A276 Type 304
8. Belleville Washer / Stainless Steel 301
9. Gland / Stainless Steel A276 Type 304
10. Packing / Graphite
11. Stem / Stainless Steel A276 Type 316
12. Thrust Washer / R-PTFE (TFM4215)
13. Gasket / Graphite + Stainless Steel 304
14. Hex Nut / A194 grade 8MA
15. Stud Bolt / A193 grade B8MA
16. Ball / Stainless Steel A351 CF8M (316)
17. Body / Stainless Steel A351 CF8M (316)
18. Seat / R-PTFE (TFM4215)
19. Cap / Stainless Steel A351 CF8M (316)
20. Spring & Pin / Stainless Steel A276 Type 304
21. Stopper / Stainless Steel A276 Type 304

Also available;
• Model G-3-HD-FS-TSW (NPT x SW ends)
• Model G-3-H-FS-SW (SW ends)

D I M E N S I O N S

size	8	10	15	20	25	32	40	50	65	80
mm/in	1/4	3/8	1/2	3/4	1	1 1/4	1 1/2	2	2 1/2	3
A	10.00	10.00	15.00	20.00	25.00	32.00	38.00	50.00	65.00	78.00
mm/in	0.37	0.37	0.500	0.750	0.984	1.260	1.496	2.00	2.50	3.071
B	65.80	65.80	68.50	75.00	79.00	88.50	94.50	107.00	129.50	139.50
mm/in	2.59	2.59	2.697	2.953	3.110	3.484	3.720	4.213	5.098	5.492
C	64.5	64.5	68.5	80.5	91.5	100.5	117.0	133.5	157.8	178.0
mm/in	2.54	2.54	2.697	3.169	3.602	3.957	4.606	5.256	6.213	7.008
D	120.00	120.00	120.00	139.00	139.00	193.00	193.00	193.00	244.00	244.00
mm/in	4.72	4.72	4.724	5.472	5.472	7.598	7.598	7.598	9.606	9.606
E	36.00	36.00	36.00	42.00	42.00	50.00	70.00	70.00	102.00	102.00
mm/in	1.417	1.417	1.417	1.653	1.653	1.968	2.756	2.756	4.016	4.016
F	M6	M6	M6	M6	M6	M8	M8	M8	M8	M8
ISO Fig	F03	F03	F03	F04	F04	F05	F07	F07	F10	F10
H	15.50	15.50	15.50	18.50	18.50	23.50	23.50	27.00	30.00	30.00
mm/in	0.61	0.61	0.610	0.728	0.728	0.925	0.925	1.063	1.181	1.181
I	5.50	5.50	5.50	6.50	6.50	8.00	8.00	10.00	12.00	12.00
mm/in	0.22	0.22	0.217	0.256	0.256	0.315	0.315	0.394	0.472	0.472
J	8.10	8.10	8.10	9.60	9.60	12.80	12.80	16.10	19.25	19.25
mm/in	0.32	0.32	0.32	0.38	0.38	0.50	0.50	0.63	0.76	0.76
CV	11	11	26	50	68	120	170	360	510	900
Weights	0.68	0.68	0.82	1.35	1.82	2.81	4.64	7.64	10.77	15.70
kg/lb	1.499	1.499	1.808	2.976	4.012	6.195	10.229	16.843	23.744	34.612

PRESSURE TEMPERATURE RATING



Valves comply to B16.34 Class 600, 900 & 1500 wall thickness.