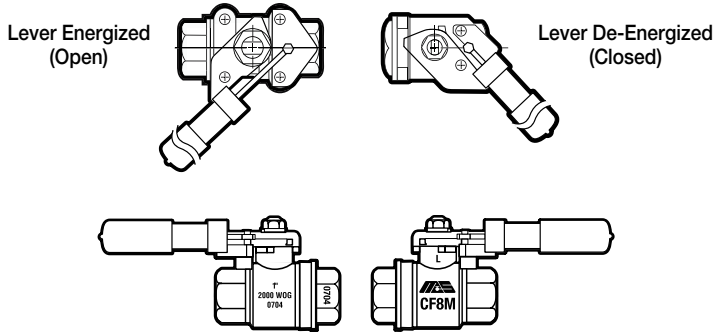


G Series Investment Cast Stainless Steel, Deadman Spring Handle Ball Valves

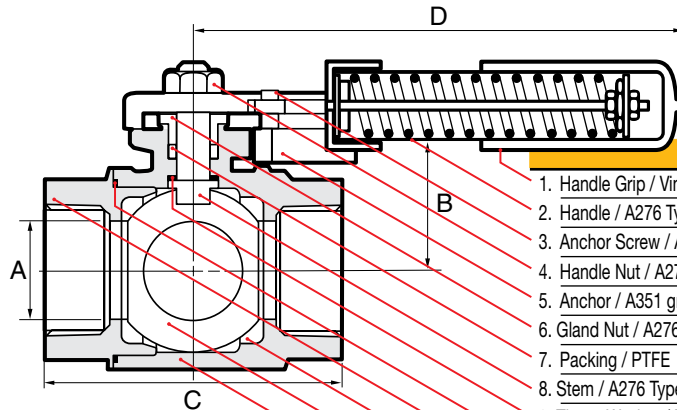
G2-DM



- Two piece body
- Full port
- NPT threads to ANSI B1.20.1
- Blowout-proof stem
- Adjustable packing nut
- Deadman handle
- Actuator mounting pad
- Floating ball
- 2000 P.S.I. W.O.G. 1/4" to 2"
- 1500 P.S.I. W.O.G. 2 1/2" & 3"

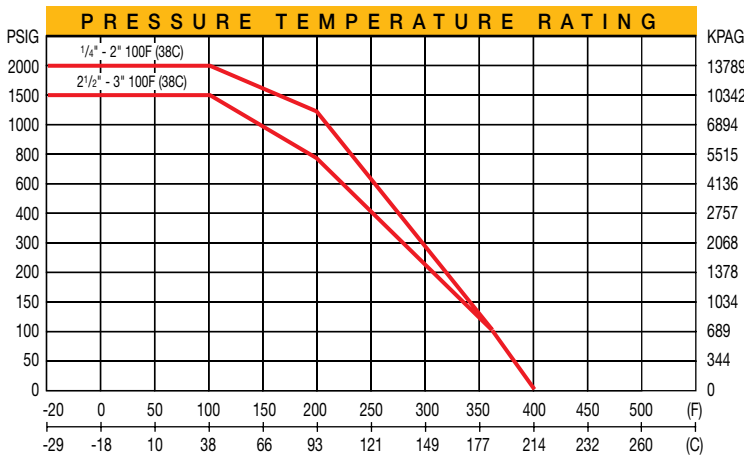


2.5



NAME / MATERIAL

1. Handle Grip / Vinyl
2. Handle / A276 Type 304
3. Anchor Screw / A276 Type 304
4. Handle Nut / A276 Type 304
5. Anchor / A351 grade CF8M
6. Gland Nut / A276 Type 304
7. Packing / PTFE
8. Stem / A276 Type 316
9. Thrust Washer / Reinforced Teflon 15% GFT
10. Gasket / PTFE
11. Cap / A351 grade CF8M
12. Seat / Reinforced Teflon 15% GFT
13. Ball / A351 grade CF8M
14. Body / A351 grade CF8M



D I M E N S I O N S										
size	8	10	15	20	25	32	40	50	65	80
mm/in	1/4	3/8	1/2	3/4	1	1 1/4	1 1/2	2	2 1/2	3
A	9.60	9.60	12.70	20.00	25.00	32.00	38.00	50.80	65.00	78.00
mm/in	0.374	0.374	0.500	0.787	0.984	1.260	1.496	2.000	2.559	3.071
B	36.00	36.00	39.00	48.50	52.50	60.00	65.50	82.50	103.50	113.5
mm/in	1.417	1.417	1.535	1.909	2.067	2.362	2.579	3.248	4.075	4.469
C	57.60	57.60	62.00	72.50	86.00	94.00	116.00	134.00	164.00	180.00
mm/in	2.264	2.264	2.441	2.854	3.386	3.700	4.567	5.276	6.457	7.086
D	180.50	180.50	180.50	182.50	182.50	182.50	235.00	235.00	299.00	299.00
mm/in	7.106	7.106	7.106	7.185	7.185	7.185	9.252	9.252	11.771	11.771
CV	7.0	7.0	15.0	45.0	65.0	125.0	175.0	380.0	500.0	900.0
weights	0.605	0.595	0.658	0.872	1.112	1.556	2.655	3.746	6.552	9.672
kg/lb	1.334	1.312	1.451	1.922	2.451	3.430	5.853	8.258	14.444	21.323