

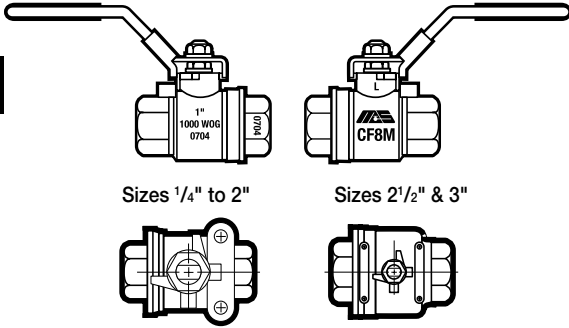
G Series Investment Cast Stainless Steel 1000 WOG Ball Valves

G2E



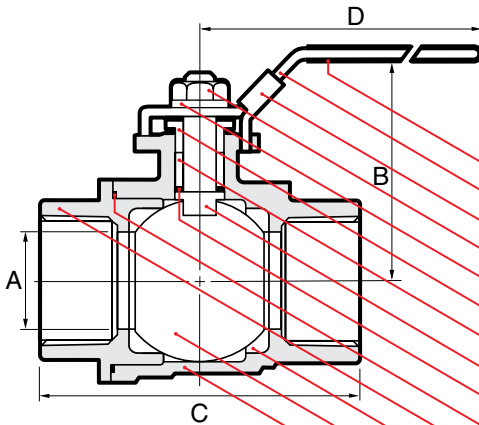
Full port
NPT ends to ANSI B1.20.1
Two piece body
Blowout-proof stem
Adjustable packing nut
Locking lever handle
Floating ball
1000 PSI, WOG 1/4" to 3"
P-T 450°F @ 100 PSI

2.2



Sizes 1/4" to 2"

Sizes 2 1/2" & 3"



NAME / MATERIAL

1. Handle Grip / Vinyl
2. Handle / Stainless Steel 304 - A276
3. Locking Device / Stainless Steel 304 - A276
4. Handle Nut / Stainless Steel 304 - A 276
5. Stem Washer / Stainless Steel 304 - A276
6. Gland Nut / Stainless Steel 304 - A276
7. Packing / Reinforced Teflon 15% GFT
8. Stem / Stainless Steel 316 / A276
9. Thrust Washer / Reinforced Teflon 15% GFT
10. Gasket / Reinforced Teflon 15% GFT
11. Cap / Stainless Steel 316 - A351 - CF8M
12. Seat / Reinforced Teflon 15% GFT
13. Ball / Stainless Steel 316 - A 351 - CF8M
14. Body / Stainless Steel 316 - A 351 - CF8M

D I M E N S I O N S

size	8	10	15	20	25	32	40	50	65	80
mm/in	1/4	3/8	1/2	3/4	1	1 1/4	1 1/2	2	2 1/2	3
A	9.6	9.6	12.7	20.0	24.0	31.8	38.1	50.0	65.0	78.0
mm/in	0.378	0.378	0.500	0.787	0.945	1.252	1.50	1.968	2.559	3.071
B	54.0	54.0	54.6	64.8	67.8	79.4	84.4	100.7	135.0	145.00
mm/in	2.126	2.126	2.150	2.551	2.669	3.126	3.323	3.965	5.315	5.709
C	49.4	49.4	56.0	66.0	77.7	90.4	102.4	119.0	151.4	171.4
mm/in	1.945	1.945	2.205	2.598	3.059	3.559	4.031	4.685	5.961	6.748
D	98.0	98.0	98.0	122.0	122.0	152.0	152.0	178.0	247.0	247.0
mm/in	3.858	3.858	3.858	4.803	4.803	5.984	5.984	7.008	9.724	9.724
CV	7.0	7.0	15.0	45.0	65.0	125.0	175.0	380.0	500.0	900.0
weights	0.20	0.21	0.235	0.43	0.63	1.11	1.49	2.60	5.42	8.38
kg/lb	0.440	0.462	0.517	0.946	1.386	2.442	3.278	5.720	11.924	18.436

P R E S S U R E T E M P E R A T U R E R A T I N G

