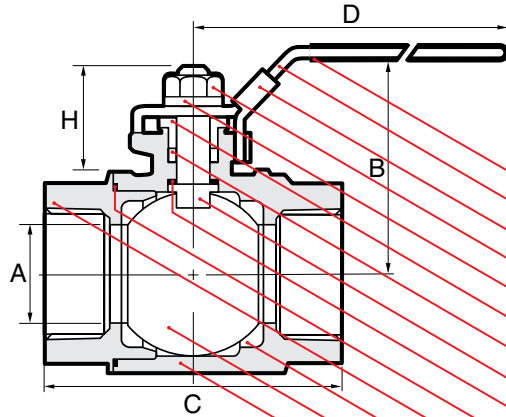
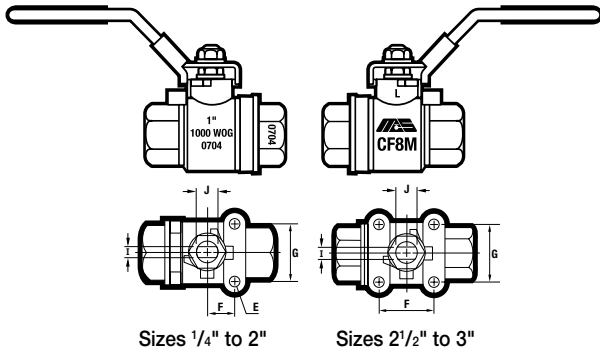


G Series Investment Cast Stainless Steel 2000 WOG Ball Valves

G2



2.3

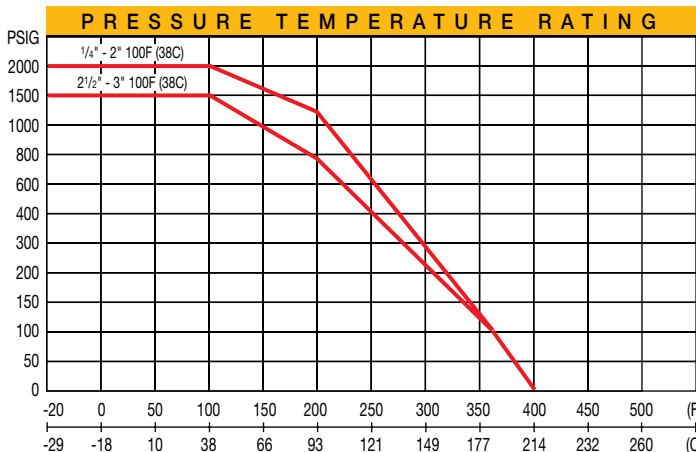


- Full port
- NPT ends to ANSI B1.20.1
- Two piece body
- Blowout-proof stem
- Adjustable packing gland
- Locking lever handle
- Actuator mounting pad
- 2000 PSI, WOG 1/4" to 2"
- 1500 PSI, WOG 2 1/2" to 3"

NAME / MATERIAL

1. Handle Grip / Vinyl
2. Handle / Stainless Steel 304 - A276
3. Locking Device / Stainless Steel 304 - A276
4. Handle Nut / Stainless Steel 304 - A276
5. Stem Washer / Stainless Steel 304 - A276
6. Gland Nut / Stainless Steel 304 - A276
7. Packing / PTFE
8. Stem / Stainless Steel 316 / A276
9. Thrust Washer / Reinforced Teflon 15% GFT
10. Gasket / PTFE
11. Cap / Stainless Steel 316 - A351 CF8M
12. Seat / Reinforced Teflon 15% GFT
13. Ball / Stainless Steel 316 - A351 CF8M
14. Body / Stainless Steel 316 - A351 CF8M

- Available with Oval handle for size range: 1/4"-2"
- 1/4" and 3/8" have non-tapped reserve holes cast in
- 1/2" to 2" mounting pads are tapped, 2 1/2" and 3" are dimpled.



D I M E N S I O N S										
size	8	10	15	20	25	32	40	50	65	80
mm/in	1/4	3/8	1/2	3/4	1	1 1/4	1 1/2	2	2 1/2	3
A	9.60	9.60	12.70	20.00	25.00	32.00	38.00	50.80	65.00	78.00
mm/in	0.374	0.374	0.500	0.787	0.984	1.260	1.496	2.000	2.559	3.071
B	54.00	54.00	57.00	65.50	69.50	82.50	88.00	105.00	138.00	148.00
mm/in	2.130	2.130	2.240	2.580	2.740	3.250	3.460	4.130	5.430	5.830
C	57.60	57.60	62.00	72.50	86.00	94.00	116.00	134.00	164.00	180.00
mm/in	2.264	2.264	2.441	2.854	3.386	3.700	4.567	5.276	6.457	7.086
D	103.50	103.50	103.50	125.00	125.00	158.00	158.00	181.00	252.00	252.00
mm/in	4.075	4.075	4.075	4.921	4.921	6.220	6.220	7.126	9.921	9.921
E	*	*	M6	M6	M6	M8	M8	M8	†	†
F	12.73	12.73	12.73	14.85	14.85	17.68	24.75	24.75	72.10	72.10
mm/in	0.501	0.501	0.501	0.585	0.585	0.696	0.974	0.974	2.839	2.839
G	25.45	25.45	25.45	29.70	29.70	35.35	49.50	49.50	72.10	72.10
mm/in	1.002	1.002	1.002	1.169	1.169	1.392	1.949	1.949	2.839	2.839
H	22.50	22.50	23.10	28.00	29.00	38.20	38.20	40.00	45.00	42.00
mm/in	0.886	0.886	0.909	1.102	1.142	1.504	1.504	1.575	1.772	1.654
I	5.50	5.50	5.50	6.50	6.50	8.00	8.00	10.00	12.00	12.00
mm/in	0.217	0.217	0.217	0.256	0.256	0.315	0.315	0.394	0.472	0.472
J	7.70	7.70	7.70	9.30	9.30	12.50	12.50	15.60	18.80	18.80
mm/in	0.303	0.303	0.303	0.367	0.367	0.492	0.492	0.614	0.740	0.740
CV	7.0	7.0	15.0	45.0	65.0	125.0	175.0	380.0	500.0	900.0
weights	0.260	0.250	0.313	0.555	0.795	1.330	2.013	3.550	6.250	9.370
kg/lb	0.572	0.550	0.689	1.221	1.749	2.926	4.429	7.810	13.750	20.614

* Untapped
† dimpled at drilling location