

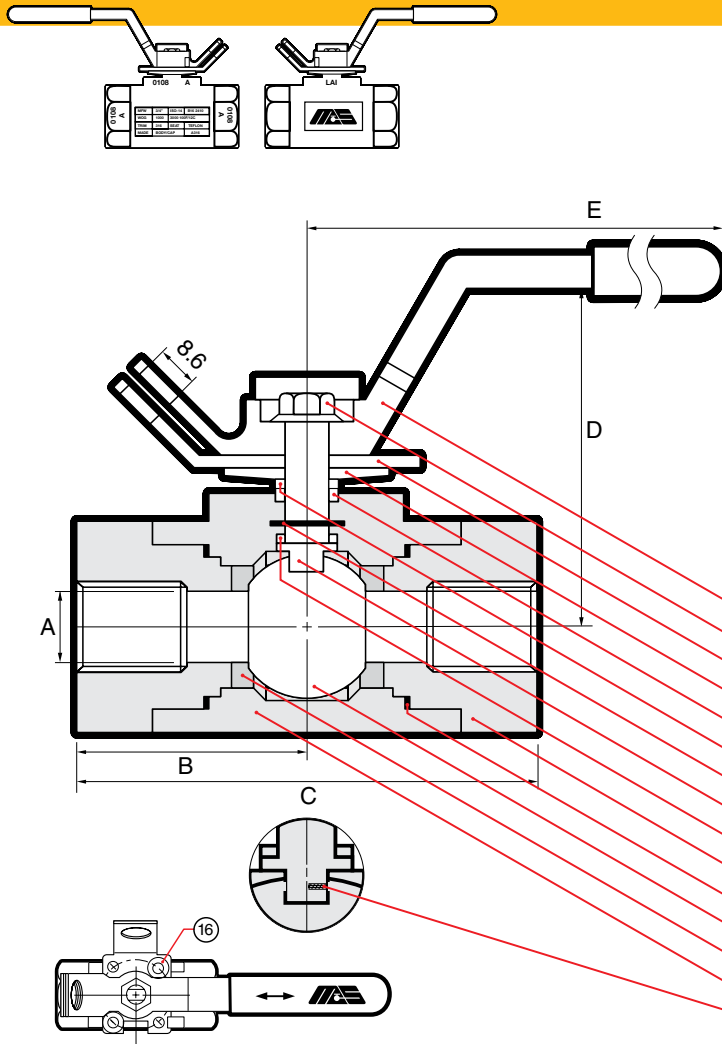
HM Series Forged Steel 3000 PSI Ball Valves

HM-3AFT/LFT

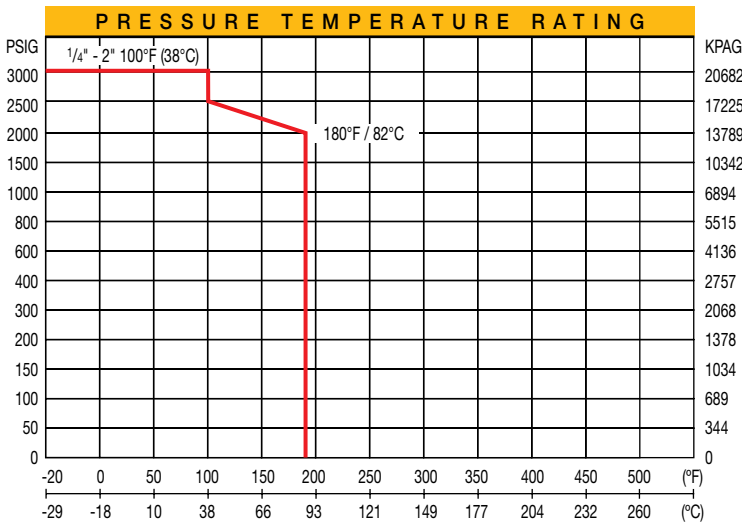
Full Port / Floating Ball
Three Piece Threaded Body
LF2 & A105N Forged Steel Construction
NPT Threads to ANSI B1.20.1
Blowout Proof Stem
Anti-Static Design
Positive Lock-Out Device
**Fire-Safe Certified to
API-607 5th Edition**
Comply to NACE MR-01-75-2002
& MR-01-03
3000 P.S.I W.O.G. (1500 Class) 1/4"-2"



1.3



NAME / MATERIAL	
AFT	LFT
1. Handle / Ductile Iron	
2. Handle Nut / A36 C.S. Plated	
3. Gland Flange / A36 C.S. Plated	
4. Belleville Washer / S.S. 301	
5. Packing / Graphite	
6. Gland / Stainless Steel A276 Type 304	
7. Stem O-ring / HNBR (1 1/2" - 2")	
8. Stem / Stainless Steel A276 Type 316	
9. Thrust Washer / Delrin	
10. Cap / Forged Steel A105N	A350 GR. LF2
11. Body O-ring / HNBR	
12. Ball / Stainless Steel A351 GR. CF8M (316)	
13. Seat / Delrin	
14. Body / Forged Steel A105N	0A350 GR. LF2
15. Spring and Pin / Stainless Steel A276 Type 304	
16. Cap Screw / A36 C.S. Plated	



For A105N low temp down to -20°F (-29°C)

For LF2 low temp down to -40°F (-40°C)

D I M E N S I O N S

size	8	15	15	20	25	40	50
mm/in	1/4	3/8	1/2	3/4	1	1 1/2	2
A	12.7	12.7	12.7	22.2	24.0	38.1	50.0
mm/in	0.50	0.50	0.50	0.87	0.94	1.50	1.96
B	49.0	49.0	49.0	54.0	66.5	79.5	79.5
mm/in	1.93	1.93	1.93	2.13	2.62	3.13	3.13
C	98.0	98.0	98.0	108.0	133.0	159.0	159.0
mm/in	3.86	3.86	3.86	4.25	5.24	6.26	6.26
D	83.0	83.0	83.0	112.0	116.0	143.0	177.0
mm/in	3.27	3.27	3.27	4.41	4.57	5.63	6.97
E	122.0	122.0	122.0	172.0	172.0	279.0	302.0
mm/in	4.80	4.80	4.80	6.77	6.77	10.98	11.89
CV	9	9	15	45	65	250	480
Weights	1.32	1.28	1.20	1.84	2.31	6.15	10.30
kg/lb	2.90	2.82	2.65	4.06	5.09	13.56	22.71