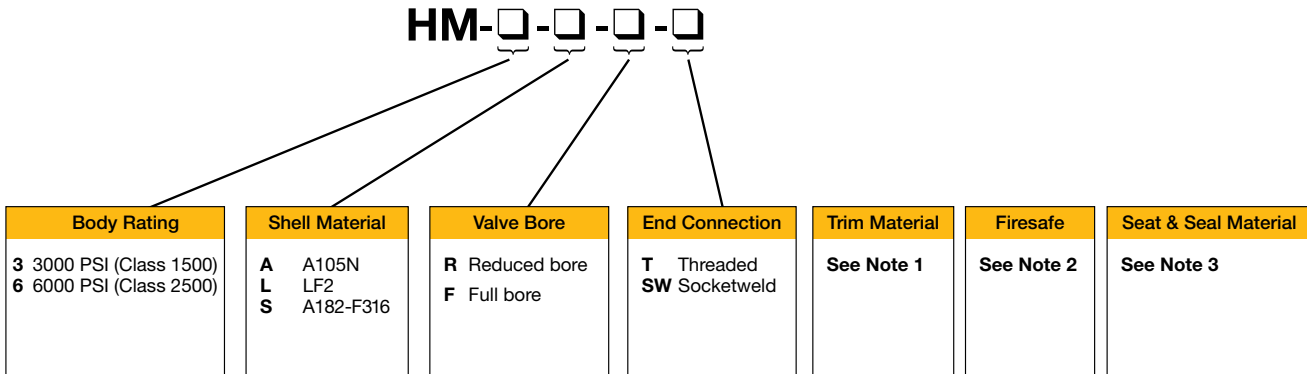


## Order code information

HM Series 3 piece threaded fire-safe ball valves

HM-□-□-□-□



The order code system lets you specify your pressure class, material and reduced or full port.

Note 1: All valves are standard with 316 SS trim and meet NACE MR-01-75-2002 & MR-01-03

Note 2: All valves conform with applicable requirements of the valve fire test per API 607 5th Edition.

Note 3: Refer to individual drawings for seat / seal and pressure / temperature ratings.