

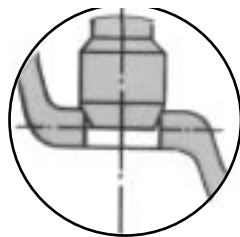
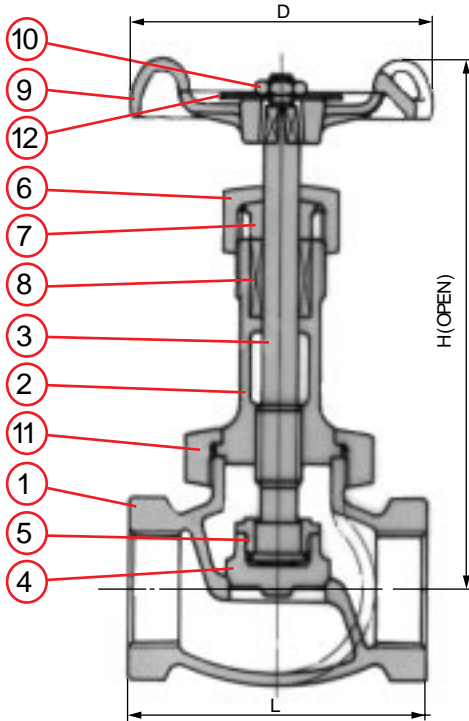
RED-WHITE



300 - POUND BRONZE GLOBE VALVES

Union bonnet, swivel type bronze disc, screwed ends.

MSS Specification Valves



Disc construction
For sizes 1/4 to 1/2



| WORKING PRESSURES | | | |
|---------------------------------|------------------------|------------------|---------------|
| Working pressure Non - shock | | Test pressure | |
| Saturated Steam | Cold water Oil, Gas | Shell (Water) | Seat (Air) |
| Psig 300 | 600 | 900 | 80 |
| Bar 20.7 | 41.4 | 62.1 | 5.6 |

Note:

1. Stem materials are as follows:
ASTM B21 - C47940 applied to British pipe threaded end valves. ASTM B505 - C83600 applied to American pipe threaded end valves.
2. End threads conform to American or British standard pipe threads.

*Design & materials are subject to change without notice.

| M A T E R I A L S | | | |
|-------------------|---------------|----------------------------------|--|
| No. | Name of parts | ASTM specification | |
| 1 | Body | Cast bronze | B61-C92200 |
| 2 | Bonnet | Cast bronze | B61-C92200 |
| 3 | Stem | Copper alloy rod* or cast bronze | B21-C47940 B505-C83600 |
| 4 | Disc | Cast bronze | B61-C92200 |
| 5 | Lock nut | Brass rod | B16-C36000 |
| 6 | Packing nut | 1/4 - 1 1/4 | Brass rod B16-C36000 |
| | | 1 1/2 - 2 | Cast bronze B62-C83600 |
| 7 | Gland | 1 1/4 - 3 | Forged brass B124-C37700 |
| 8 | Gland packing | | Non-asbestos packings T#2996-NA |
| 9 | Handwheel | 1/4 & 3/8 | Zinc alloy die casting B86-Z33520 |
| | | 1/2 - 2 | Aluminum alloy die casting B85-A03840 |
| 10 | Wheel nut | | Steel (Zinc plated) A563 Gr.A |
| 11 | Union nut | 1/4 | Brass rod B16-C36000 |
| | | 3/8 - 2 | Cast bronze B61-C92200 |
| 12 | Name plate | | Aluminum plate B209-1100 |

*Toyo's patented corrosion resistant material.

| D I M E N S I O N S | | | | | | | | |
|---------------------|------|------|------|------|------|-------|-------|-------|
| size (in.) | 1/4 | 3/8 | 1/2 | 3/4 | 1 | 1 1/4 | 1 1/2 | 2 |
| L | 51 | 59 | 68 | 75 | 89 | 103 | 118 | 146 |
| mm/in | 2.01 | 2.32 | 2.68 | 2.95 | 3.50 | 4.06 | 4.65 | 5.75 |
| H | 106 | 123 | 131 | 162 | 176 | 202 | 227 | 267 |
| mm/in | 4.17 | 4.84 | 5.16 | 6.38 | 6.93 | 7.95 | 8.94 | 10.51 |
| D | 55 | 55 | 63 | 80 | 90 | 100 | 125 | 140 |
| mm/in | 2.17 | 2.17 | 2.48 | 3.15 | 3.54 | 3.94 | 4.92 | 5.51 |
| Weight | 0.84 | 1.15 | 1.43 | 2.18 | 3.28 | 5.22 | 7.43 | 13.23 |
| lb/kg | 0.38 | 0.52 | 0.65 | 0.99 | 1.49 | 2.37 | 3.37 | 6.00 |

Toyo Valve Co., Ltd.