

Figure # 5023 Brass Full Port EzPress Ball Valve

Product Features

- 600# WOG*
- Brass Body
- Male ends for Crimp Fittings
- Chrome Plated Ball
- PTFE Seats
- Blow-Out Proof Stem
- Adjustable Packing
- MSS-SP-110 Design
- NSF-61 Certified

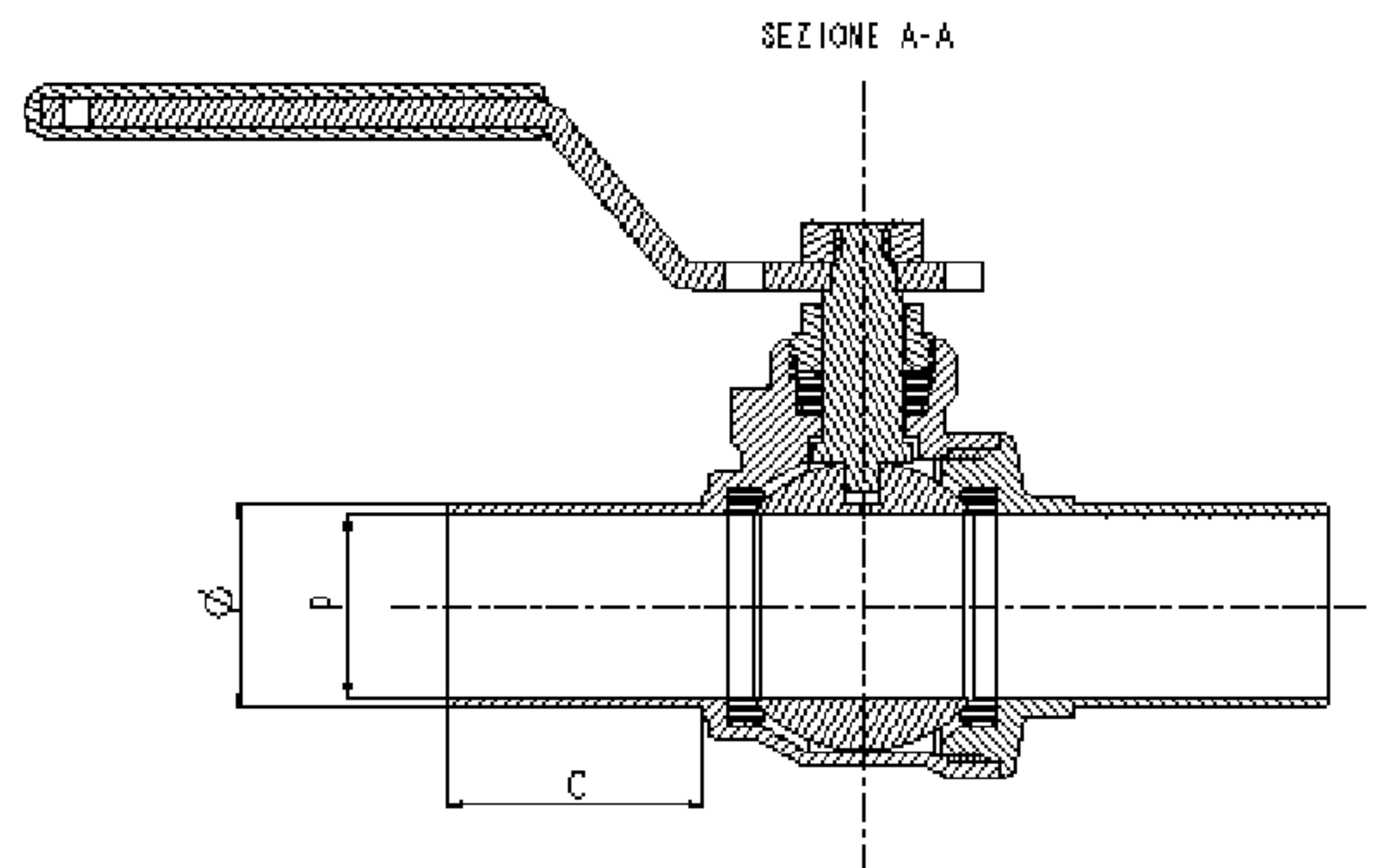
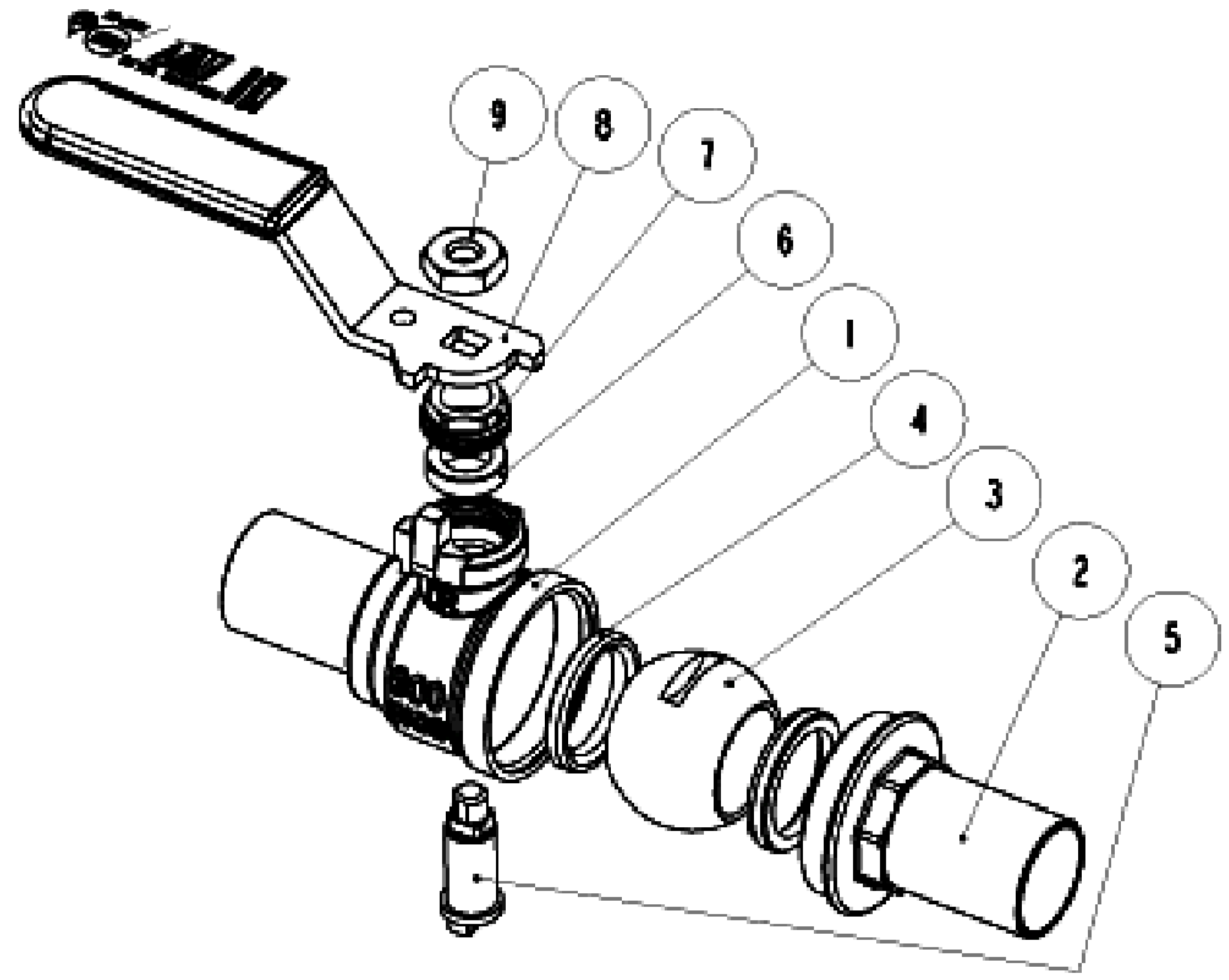


Technical Specifications

Size	1/2	3/4	1	1-1/4	1-1/2	2
Cv	15	30	60	110	130	360
T Max Valve-F	300	300	300	300	300	300
P Max Valve @ 200F	600	600	600	600	600	600
*P/T Max Connection	Dependent upon pipe fitting & o-ring material types.					

Materials & Specifications

Item	Description	Material	Specification
1	Body	Brass	UNS C35330 (DZR)
2	Body Cap	Brass	UNS C35330 (DZR)
3	Ball	Brass	ASTM B283-C37700 Chromium Plated
4	Seat	PTFE	---
5	Stem	Brass	ASTM B124-C37700
6	Packing Ring	PTFE	---
7	Packing Nut	Brass	ASTM B124-C37700
8	Handle	Steel	ASTM A36 Dacromet Plated
9	Nut	Steel	ASTM A36 Zinc Plated



Dimensions & Weights (inches-lbs.)

Size	1/2	3/4	1	1-1/4	1-1/2	2
Ø	.62 - .623	.87 - .88	1.12 - 1.13	1.37- 1.38	1.62 - 1.63	2.12 - 2.13
A	3.31	3.80	4.02	4.84	6.18	7.05
C	0.98	1.10	1.10	1.30	1.73	1.93
H	2.13	2.24	2.56	2.78	3.27	3.56
L	3.60	3.60	5.00	5.00	5.59	5.59
P	0.59	0.79	0.98	1.26	1.58	1.97
Wt. (lbs.)	0.46	0.64	1.01	1.55	2.37	3.56

