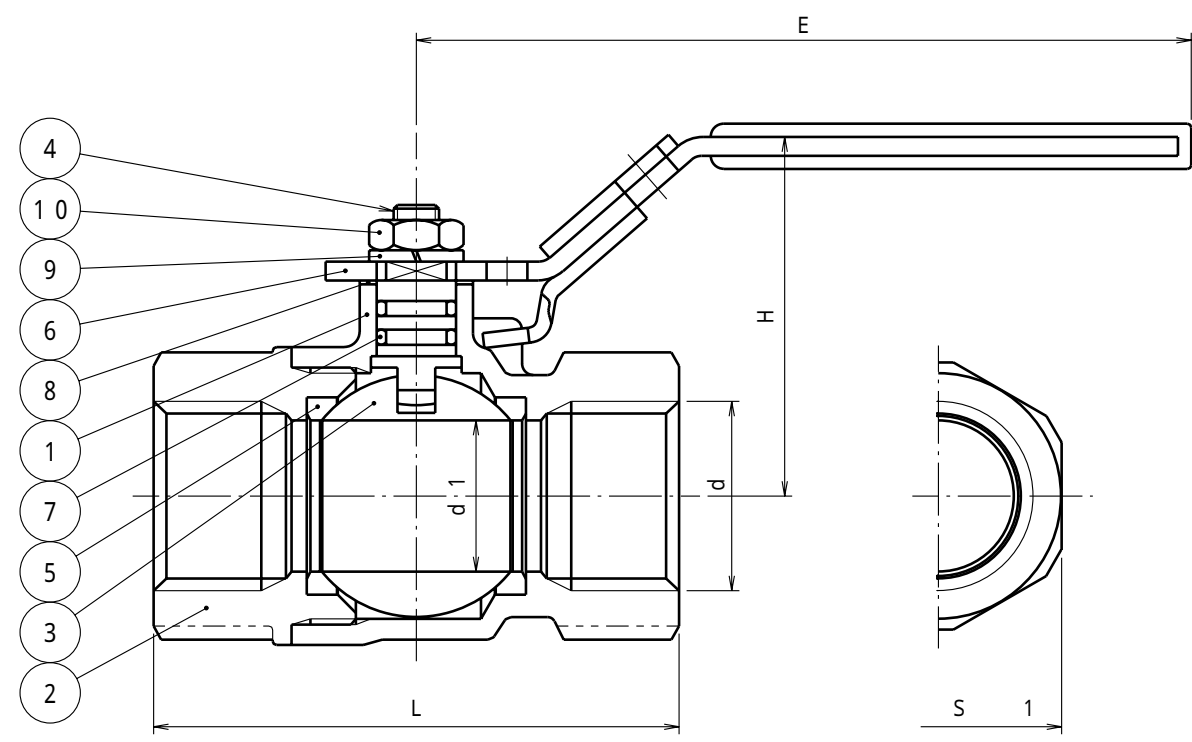


Reference Drawing

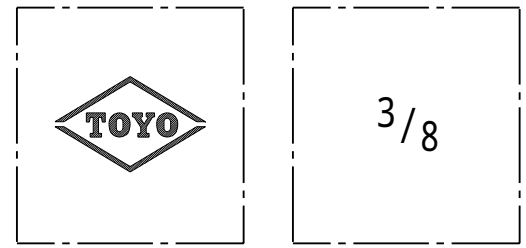
NOTE:  
 1 External shape of body screwed ends;  
 SIZES 1/2 & 3/4 : HEXAGONAL  
 SIZES 1/4 , 3/8 , 1 and larger : OCTAGONAL



10	NUT	A 3 6	ZINC PLATED
9	SPRING WASHER	A 2 2 7	ZINC PLATED
8	THRUST WASHER	PTFE	
7	O-RING	NBR FPM	BUNA - N
6	LOCKING LEVER HANDLE	A 3 6	ZINC PLATED
5	SEAT	PTFE Reinforced PTFE	SIZE 1/4 to 1 1/2 SIZE 2
4	STEM	B 1 2 4 - C 3 7 7 0 0	
3	BALL	B 2 8 3 - C 3 7 7 0 0	CHROME PLATED
2	CAP	B 2 8 3 - C 3 7 7 0 0	
1	BODY	B 2 8 3 - C 3 7 7 0 0	

DIMENSIONS UNIT: mm

SIZE	d	d1	H	L	E	S	MASS (Kg)	Q'ty
1/4	NPT 1/4	8	42	47	80	21	0.19	
3/8	NPT 3/8	10	43	50	80	24	0.22	
1/2	NPT 1/2	15	45	60	100	28	0.26	
3/4	NPT 3/4	20	48	69	100	34	0.39	
1	NPT 1	25	54	80	130	41	0.63	
1 1/4	NPT 1 1/4	32	59	94	130	48	0.91	
1 1/2	NPT 1 1/2	40	70	104	150	55	1.43	
2	NPT 2	50	77	125	150	68	2.36	



BODY MARKINGS

CONNECTION		<b>600WOG</b> <b>FORGED BRASS</b> <b>SCREWED END BALL VALVE</b> 《Locking Lever Handle》 FULL BORE TYPE
ANSI/ASME B1.20.1		
FACE TO FACE or END TO END		
TOYO'S SPEC.		
TRIM DESIGNATION		

APP'D	K. Kobayashi	TEST PRESSURE		VALVE CODE
CHK'D	J. Ogino	SHELL	SEAT	RP - NC - LL
CHK'D		HYDRO	6.2 MPa	MPa
PREP'D	Y. U	STATIC	{ 900 psi }	{ psi }
SCALE	NON	AIR	0.6 MPa	0.6 MPa
DATE	JUL. 18. '06		{ 80 psi }	{ 80 psi }

REVISION					②				
MARK	DATE	PREP'D	CHK'D	APP'D	DESCRIPTION	③			
①						④			

**TOYO Toyo Valve Co., Ltd.**