

# CAST BODY WEDGE GATE VALVES

FIG. 20-150, STAINLESS STEEL - CLASS 150



## Design Features

- Locking handwheel nut.
- Provision for lockout lanyard.
- TFE impregnated packing for temperature to 450°F/232°C and PH 2-12.
- Precision machined flexible wedge gate and seat for light shut-off.
- Fully guided gate to ensure alignment.
- Outside screw and yoke, non-rising handwheel, rising stem.
- Two piece yoke and bonnet assembly.
- Flanges match ASME B 16.5-150 Lbs standard. Serrated gasket faces.
- Face to face ASME B16.10

**Designed to ASME B16.34 & API  
603 tested to API 598**

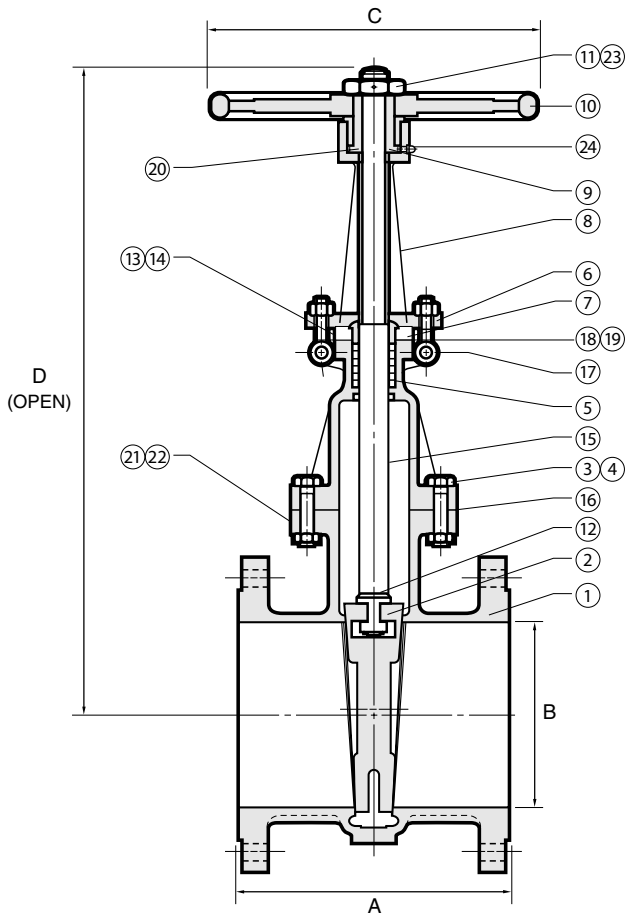


*Designed to handle corrosive fluids in the  
process industries*

# STAINLESS STEEL WEDGE GATE VALVES

FIG. 20-150, STAINLESS STEEL - CLASS 150

FIG 20B-150-CF8M (316)  
FIG 20L-150-CG8M (317)



Item	Description	Fig. 20B	Fig. 20L
1	Body	ASTM A351 Gr.CF8M	ASTM A351 Gr.CG8M
2	Disc	ASTM A351 Gr.CF8M	ASTM A351 Gr.CG8M
3	Nut	AISI 304	AISI 304
4	Bonnet-Bolt	AISI 304	AISI 304
5	Packing	TFE Impregnated	TFE Impregnated
6	Gland Flange	ASTM A351 Gr.CF8M	ASTM A351 Gr.CG8M
7	Gland	ASTM A479 Gr.316	ASTM A479 Gr.317L
8	Yoke	ASTM A351 Gr.CF8	ASTM A351 Gr.CF8
9	Stem Sleeve	SAE 660 (Bronze)	SAE 660 (Bronze)
10	Handwheel	ASTM A536 Gr.60-42-10	
11	Handwheel Nut	MS Plated Steel	
12	Stem	ASTM A479 Gr.316	ASTM A479 Gr.317L
13	Yoke Bolt	AISI 304	AISI 304
14	Nut	AISI 304	AISI 304
15	Bonnet	ASTM A351 Gr.CF8M	ASTM A351 Gr.CG8M
16	Gasket	P.T.F.E.	
17	Gland Bolt Pin	AISI 304	AISI 304
18	Gland Bolt	AISI 304	AISI 304
19	Gland Bolt Nut	AISI 304 Nylock	AISI 304 Nylock
20	Sleeve Retainer	AISI 304	AISI 304
21	Nameplate	ASTM A240 Gr.304	ASTM A240 Gr.304
22	Rivets	Aluminium	
23	Lock Screw	SS-Commercial Grade	SS SS-Commercial Grade
24	Grease Nipple	Cadmium Plated Steel	Cadmium Plated Steel

DIMENSIONS - INCHES													
Size	2	2.5	3	4	6	8	10	12	14	16	18	20	24
<b>A</b>	7	7.5	8	9	10.2	11.5	13	14	15	16	17	18	20
<b>B</b>	2	2.5	3	4	6	8	10	12	13.2	16	18	20	24
<b>C</b>	7	7	8	9	12	14	16	18	18	20	20	20	20
<b>D</b>	13.3	15.1	18.1	20.5	28	36.4	44.3	51.7	60	66.5	73.75	80.75	94
<b>Wt. lb.</b>	44	50	55	80	130	220	348	480	600	830	900	1150	1520

DIMENSIONS - MILLIMETERS													
Size	50	65	80	100	150	200	250	300	350	400	450	500	600
<b>A</b>	178	190	203	229	260.7	292	330	356	381	406	432	457	508
<b>B</b>	51	63.5	78	102	152	203	254	305	336.5	400	450	500	600
<b>C</b>	178	178	203	229	305	356	406	457	457	508	508	508	508
<b>D</b>	338	386	461	520	714	925	1126	1314	1525	1689	1873	2051	2388
<b>Wt. Kg.</b>	20	23	25	36	59	100	158	218	276	373	410	523	690

- Handwheel actuator standard.
- Chainwheel, bevel gear, electric, hydraulic or pneumatic actuators are available.
- Also available in larger sizes, or in special alloys like CN7m (Alloy 20), Duplex SS, Hastelloy are available on request.