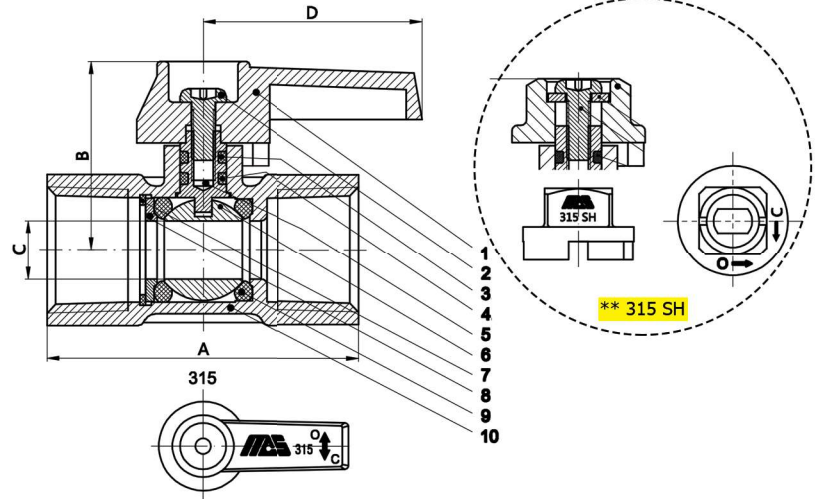




M. A. Stewart & Sons Ltd.  
VALVES AND FITTINGS

# A Series Forged Brass CSA Gas Ball Valves

## 315 / 315 SH



- Forged 1 piece construction
- ASME B1.20.1 NPT Ends
- Smooth, quarter turn operation
- May be used with water 400 PSI
- Seals at high and low pressure  
- ideal for testing installations
- Certified to: ANSI Z21.15 / CSA 9.1 (1/2 PSIG)
- ASME B16.44, CGA-CR91-002 (2 & 5 PSIG)
- -40° to 125°F

315 / 315 SH NAME / MATERIAL		
NO.	PART NAME	MATERIAL
1	Handle	Aluminum ASTM B85.A03840
2	Screw	Steel ASTM A36 Zinc Plated
3	Stem-O-Ring	HNBR 70SH
4	Stem-O-Ring	FKM
5	Stem	Brass ASTM B124-C37700
6	Ball	Chromium Plated Brass ASTM B124-C37700
7	Retainer Clip	Steel
8	Seat Washer	Brass ASTM B124-C37700
9	Seat O-Ring	HNBR 70SH
10	Body	Brass ASTM B283-C37700
**	Washer	Brass ASTM B124-C37700

315   315 SH DIMENSIONS							
Size (in)	A mm/in	B mm/in	** B mm/in	C mm/in	D mm/in	Weight Kg/LBS	** Weight Kg/LBS
1/2"	54	33	30	10	38	0.14	0.147
	2.13	1.299	1.18	0.39	1.5	0.304	0.324
3/4"	58.5	35.2	32.2	14	38	0.18	0.187
	2.303	1.386	1.268	0.55	1.5	0.395	0.411

- Suitable for use with natural gas, manufactured gas and liquefied petroleum gases (distributed as vapour with or without the admixture of air), or mixtures thereof. Not for use on Sour Gas.

