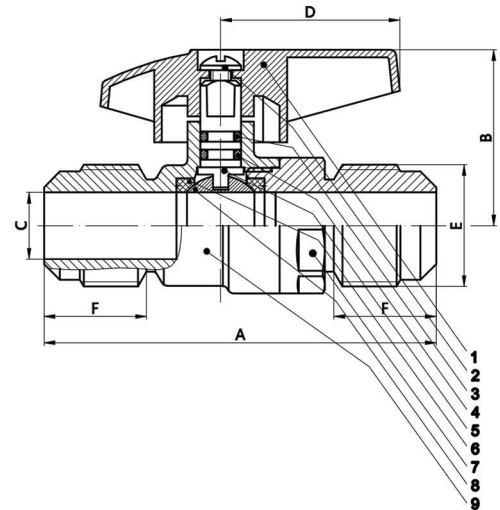




M. A. Stewart & Sons Ltd.  
VALVES AND FITTINGS

# A Series Forged Brass CSA Gas Ball Valves

# 326

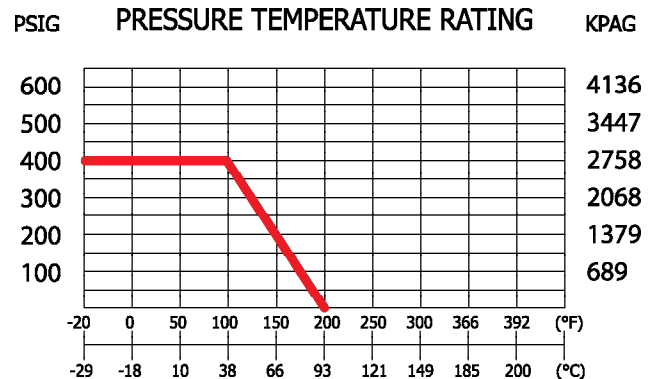


- Forged 2 piece construction
- Flare x Flare
- Smooth, quarter turn operation
- May be used with water 400 PSI
- Seals at high and low pressure - ideal for testing installations
- Certified to: ANSI Z21.15, CSA 9.1 (1/2 PSIG) ASME B16.44, CGA CR91-002 (2 & 5 PSIG)
- -40° to 125° F

| 326 NAME / MATERIAL |             |  |
|---------------------|-------------|--|
| NO.                 | PART NAME   | MATERIAL                               |
| 1                   | Handle      | Aluminum ASTM B85-A03840               |
| 2                   | Screw       | Steel ASTM A36 Zinc Plated             |
| 3                   | Stem-O-Ring | HNBR 70SH                              |
| 4                   | Stem-O-Ring | FKM                                    |
| 5                   | Stem        | Brass ASTM B124-C37700                 |
| 6                   | Seats       | PTFE                                   |
| 7                   | Cap         | Brass ASTM B283-C37700                 |
| 8                   | Ball        | Chromium Plated Brass ASTM B124-C37700 |
| 9                   | Body        | Brass ASTM B283-C37700                 |

| 326 DIMENSIONS |         |         |         |         |            |         |               |
|----------------|---------|---------|---------|---------|------------|---------|---------------|
| Size (in)      | A mm/in | B mm/in | C mm/in | D mm/in | E mm/in    | F mm/in | Weight Kg/LBS |
| 3/8"           | 62      | 31.8    | 7.1     | 35      | 5/8-18UNF  | 14      | 0.111         |
|                | 2.44    | 1.25    | 0.28    | 1.38    |            | 0.55    | 0.244         |
| 1/2"           | 69.3    | 34      | 10      | 35      | 3/4-16UNF  | 17      | 0.15          |
|                | 2.73    | 1.34    | 0.4     | 1.38    |            | 0.67    | 0.33          |
| 5/8"           | 82      | 36.5    | 13      | 35      | 15/16-16UN | 20      | 0.22          |
|                | 3.23    | 1.44    | 0.51    | 1.38    |            | 0.79    | 0.49          |

- Suitable for use with natural gas, manufactured gas and liquefied petroleum gases (distributed as vapour with or without the admixture of air), or mixtures thereof. Not for use on Sour Gas.



Technical data, dimensions, materials & specifications are subject to change without notice. MAS CA 08/14/2017