



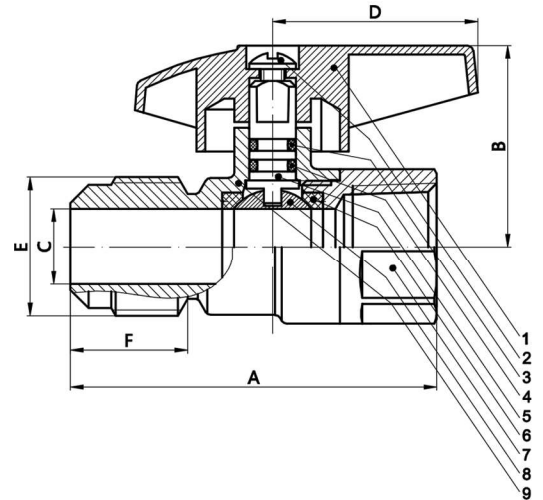
M. A. Stewart & Sons Ltd.  
VALVES AND FITTINGS

# 327

## A Series Forged Brass CSA Gas Ball Valves



- Forged 2 piece construction
- ASME B1.20.1 NPT end x Flare
- Smooth, quarter turn operation
- May be used with water 400 PSI
- Seals at high and low pressure
  - ideal for testing installations
- Certified to: ANSI Z21.15, CSA 9.1 (1/2 PSIG)
- ASME-B16.44, CGA CR91-002 (2 & 5 PSIG)
- -40° to 125°F



327 NAME / MATERIAL		
NO.	PART NAME	MATERIAL
1	Handle	Aluminum ASTM B85-A03840
2	Screw	Steel ASTM A36 Zinc Plated
3	Stem-O-Ring	HNBR 70SH
4	Stem-O-Ring	FKM
5	Stem	Brass ASTM B124-C37700
6	Seats	PTFE
7	Cap	Brass ASTM B283-C37700
8	Ball	Chromium Plated Brass ASTM B124-C37700
9	Body	Brass ASTM B283-C37700

327 DIMENSIONS							
Size (in)	A mm/in	B mm/in	C mm/in	D mm/in	E mm/in	F mm/in	Weight Kg/LBS
1/2x3/8	56	33.5	7.1	35	5/8-18UNF	14	0.125
	2.2	1.32	0.28	1.38		0.55	0.28
1/2"	59.5	34	10	35	3/4-16UNF	17	0.135
	2.34	1.34	0.39	1.38		0.67	0.3
3/4x5/8	69.5	36.5	13	35	15/16-16UN	20	0.218
	2.74	1.44	0.51	1.38		0.79	0.48

- Suitable for use with natural gas, manufactured gas and liquefied petroleum gases (distributed as vapour with or without the admixture of air), or mixtures thereof. Not for use on Sour Gas.

