



M. A. Stewart & Sons Ltd.
VALVES AND FITTINGS

B Series Lead Free Forged Brass PEX Ball Valves

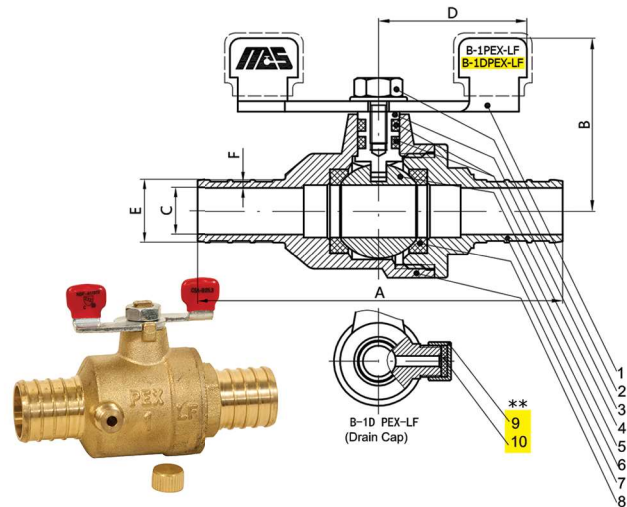


Meeting the Industry's
Lowest Lead-free
Requirements

B-1PEX-LF / B-1DPEX-LF



NSF-61/372



- Forged 2-piece construction
- Reduced port
- CSA B137.5 ASTM F1807 PEX ends
- Blowout-proof stem
- Chrome plated ball
- O-ring stem seals
- 400 WOG
- CSA B125.3-12 Plumbing Fittings / ASME 112.4.14
- NSF/ANSI 61 Drinking Water System Components
- NSF/ANSI 372 Lead Free (0.25% max lead content)

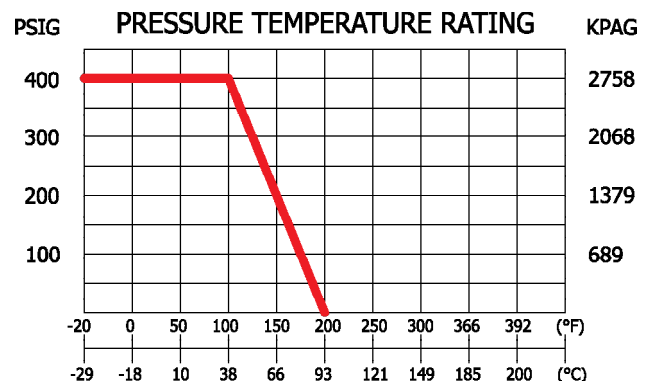
• ** Drain available on model B-1DPEX-LF

B-1PEX-LF B-1-D-PEX-LF PART/MATERIAL		
NO.	PART NAME	MATERIAL
1	Handle	Steel ASTM A36 ZINC PLATED
2	Handle NUT	Steel ASTM A36 ZINC PLATED
3	Stem	Brass ASTM B432 C46500
4	O Ring	NBR
5	Ball	Brass ASTM B432 C46500 Chrome Plated
6	Cap	Brass ASTM B432 C46500
7	Seat	PTFE
8	Body	Brass ASTM B432 C46500
9	** Drain Cap	Brass ASTM C37700
10	** Drain Cap Washer	NBR

B-1PEX-LF B-1-D-PEX-LF DIMENSIONS										
Size (in)	A mm/in	** A mm/in	B mm/in	C mm/in	D mm/in	E mm/in	F mm/in	CV	** Weight Kg/LBS	Weight Kg/LBS
1/2"	63	68.5	33.5	8.95	27	11.96	0.828Min	7	0.123	0.102
	2.48	2.697	1.319	0.352	1.102	0.471	0.033Min		0.271	0.225
3/4"	68.3	74	36.5	13.22	27	16.94	1.081Min	13	0.187	0.158
	2.69	2.913	1.437	0.52	1.102	0.667	0.043Min		0.412	0.348
1"	85.4	91	42.7	17.79	27	21.74	1.196Min	27	0.312	0.270
	3.362	3.583	1.72	0.7	1.102	0.856	0.047Min		0.688	0.595

Table A1: Pressure Rating for PEX SDR9 Water Distribution Systems

Rated Temperature °C / °F	Pressure Rating for Water KPA / (PSI)
23 / 73	1105 / (160)
82 / 180	690 / (100)
93 / 200	550 / (80)



*NOTE:

- 1) The safe working pressure-temperature rating for this valve in a PEX piping system is dependent not only on the valve rating but also the limitations of the PEX pipe used. Refer to the CSA-B137 standard Table A1 above for these limits.
- 2) It is not recommended to use the drain feature valve B-1D PEX with any hostile fluid, gas or high temperature application.
- 3) Always depressurize system before removing the B-1D PEX drain cap.