



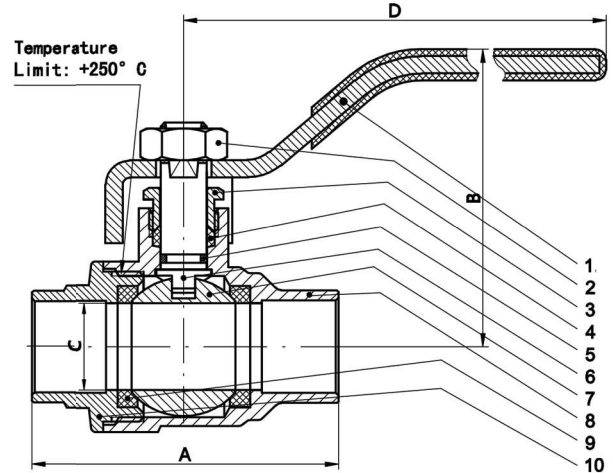
M. A. Stewart & Sons Ltd.
VALVES AND FITTINGS

B-2-F

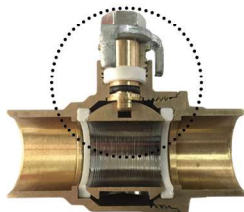
B Series Forged Brass Ball Valves



- Forged 2 piece construction
- Full port
- ANSI B16.22 solder ends (CXC)
- Blowout-proof stem
- Chrome plated ball
- Adjustable packing gland
- Secondary stem seal
- 150 WSP, 600 WOG

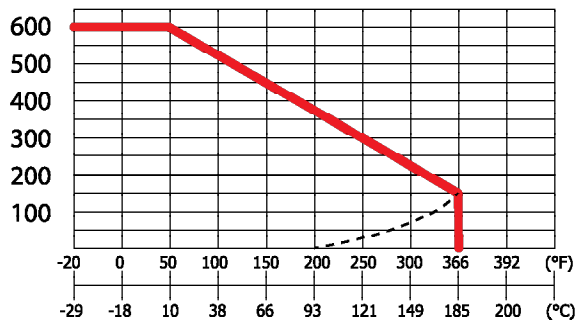


B-2-F PART/MATERIAL		
NO.	PART NAME	MATERIAL
1	Lever	Steel ASTM A36 Zinc Plated
2	Lever Nut	Steel ASTM A36 Zinc Plated
3	Packing Nut	ASTM B124 C37700
4	Packing	PTFE
5	O-ring	FKM
6	Stem	Brass ASTM B124 C37700
7	Ball	Brass ASTM B124 C37700 Chrome Plated
8	Body	Brass ASTM B283 C37700
9	Seats	PTFE
10	Cap	Brass ASTM B283 C37700



Secondary Stem Seal

PSIG PRESSURE TEMPERATURE RATING KPAG



B-2-F DIMENSIONS						
Size (in)	A mm/in	B mm/in	C mm/in	D mm/in	CV	Weight Kg/LBS
1/4"	43.00	40.80	8.00	90.00	8	0.12
	1.69	1.61	0.32	3.54		0.27
3/8"	44.50	40.80	10.00	90.00	8	0.12
	1.75	1.61	0.39	3.54		0.27
1/2"	54.30	45.00	14.50	90.00	15	0.17
	2.14	1.77	0.57	3.54		0.37
3/4"	71.40	50.00	19.50	98.00	30	0.28
	2.81	1.97	0.77	3.86		0.61
1"	86.30	63.00	25.00	118.00	60	0.45
	3.40	2.48	0.98	4.65		0.98
1 1/4"	99.20	68.00	32.00	128.00	110	0.64
	3.91	2.68	1.26	5.04		1.42
1 1/2"	115.80	82.00	39.00	140.00	130	1.09
	4.56	3.23	1.54	5.51		2.39
2"	139.80	90.00	49.50	140.00	360	1.48
	5.50	3.54	1.95	5.51		3.27
2 1/2"	164.60	120.00	64.00	220.00	450	3.24
	6.48	4.72	2.52	8.66		7.13
3"	185.30	127.50	74.00	220.00	620	4.38
	7.30	5.02	2.91	8.66		9.64
4"	239.80	142.50	95.00	244.00	1200	7.87
	9.44	5.61	3.74	9.61		17.33

***NOTES:**

1) The safe working pressure-temperature rating for a solder joint piping system is dependent not only on valve seat rating but also on the limitation of the solder used for the joints. Refer to ANSI B16-22, Table 1.1 for the Maximum recommended pressure-temperature ratings for solder joints.
 2) Exercise caution during installation by applying heat away from the valve body. Excessive direct flame may damage body seats and seals.