

9600 Series Tankless Water Heater Valves



Leaders In Valve Technology

Features:

- Forged Brass Construction
- 600# Rating (non-shock)
- 3/4" & 1" Sizes
- Full Port, 1/4 Turn Design
- PTFE Seats
- Blow-Out Proof Stem
- Adjustable Packing
- Integral Hose End Drain/Purge Port with cap
- Available in Union x Threaded or Union by Solder ends
- Integral 3/4" FNPT Relief Valve Port (9601, 9621 Hot valve)

The 9600 series valves allow you to isolate, purge, drain and test a tankless water heater, boiler or similar devices from a single location with the ease of quarter turn operation.

The 9600 & 9620 Installation Kits include a Hot Valve (9601/9261), a Cold Valve (9602/9622) and an ASME certified Pressure Relief valve in one convenient package.



Available in Union by Solder or Union by Female Threaded ends



Figure Numbers and End Configuration:

FNPT Union X Solder Ends

- 9600R = Kit with 200K BTU/HR. Relief Valve
- 9600T = Kit with 2.7M BTU/HR. Relief Valve
- 9601 = Hot valve only
- 9602 = Cold Valve only

FNPT Union X FNPT Ends

- 9620R = Kit with 200K BTU/HR. Relief Valve
- 9620T = Kit with 2.7M BTU/HR. Relief Valve
- 9621 = Hot valve only
- 9622 = Cold Valve only

Relief Valves

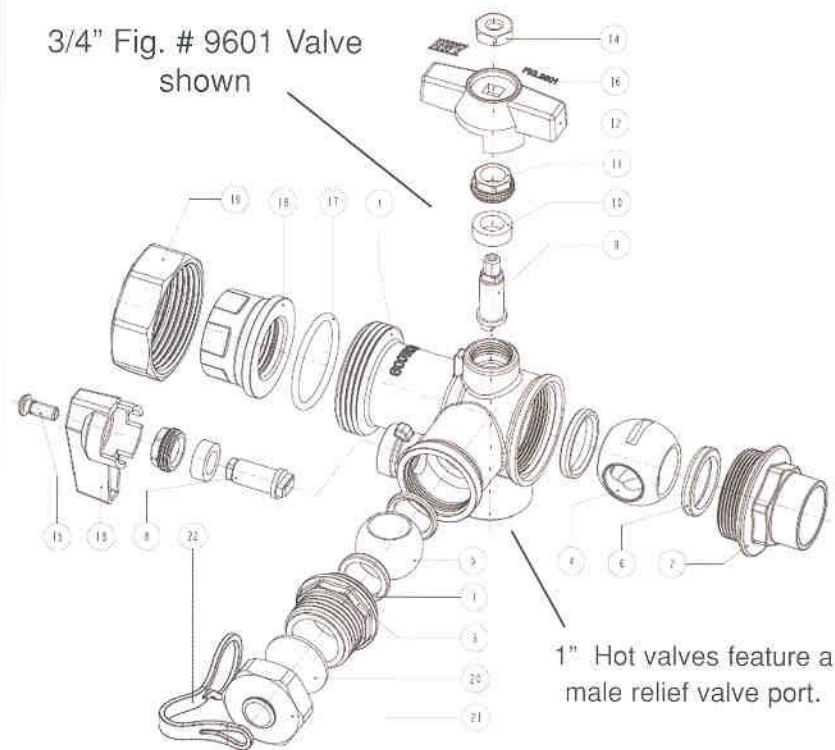
- 9605 = 200K BTU/HR. Relief Valve only
- 9607 = 2.7M BTU/HR. Relief Valve only

RED-WHITE VALVE



Distributed by M.A. Stewart & Sons Ltd
www.mastewart.com

Item	Description	Material	Specification
1	Body	Brass	B283 C37700
2	End Cap	Brass	B283 C37700
3	End cap	Brass	B283 C37700
4	Ball	Brass Chrome Plated	B124 C37700
5	Ball	Brass Chrome Plated	B124 C37700
6	Seat	PTFE	PTFE
7	Seat	PTFE	PTFE
8	Stem	Brass	B124 C37700
9	Stem	Brass	B124 C37700
10	Packing	PTFE	PTFE
11	Packing Nut	Brass	B124 C37700
12	Red T-Handle	Aluminum	ASTM B85
13	Red L-Handle	Aluminum	ASTM B85
14	Handle Nut	Steel Zinc Plated	ASTM A36
15	Handle Screw	Steel Zinc Plated	ASTM A36
16	Logo	-	-
17	O-ring	EPDM Perox	NSF Approved
18	Union	Brass	B283 C37700
19	Union Nut	Brass	B283 C37700
20	Drain Gasket	EPDM Perox	NSF Approved
21	Drain Cap	Brass	B124 C37700
22	Cap Retainer	Rubber	-



Union ends for easy assembly

Solder or Threaded ends

Easy quarter turn operation

Convenient Drain Valve

Relief Valve Port

Hose End Drain port with cap

RED-WHITE VALVE



Distributed by M.A. Stewart & Sons Ltd.

www.mastewart.com



Convenient kit with Hot, Cold and Relief valves.



Other problem solving products available from Red-White Valve



Fig. # 5020 EzPress Valve



Fig. # 6000SI Pressure Reducing Valve



Fig. # 5010 PEX Ball Valve

As a part of the Red-White family of problem solving products, the 9600 series valves provide you with the quality you have come to expect from the leaders in valve technology backed by a 3-year warranty against defects in materials & workmanship and a 98% guaranteed fill rate.

Company Overview

For over 35 years, Red-White Valve has manufactured top quality valves and associated products for the plumbing, commercial and industrial markets. Known for our quality and unparalleled customer service, we take pride in being a leader in valve technology.

All products carry a three year warranty. RWV products are available through distributors and warehouse locations throughout North America and supported by experienced product experts both at our headquarters and in our field sales offices.

When you are looking for a reliable product with superior quality - Turn to the leader.

Leaders In Valve Technology

RED-WHITE VALVE



Distributed by M.A. Stewart & Sons Ltd.
www.mastewart.com